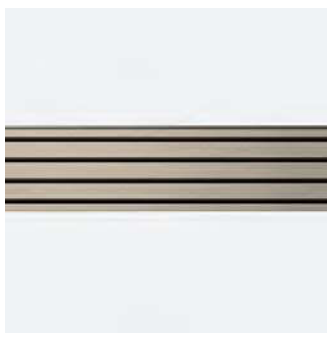
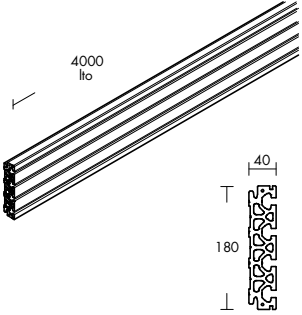

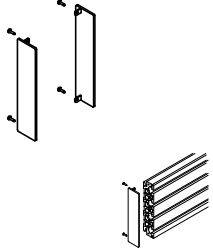
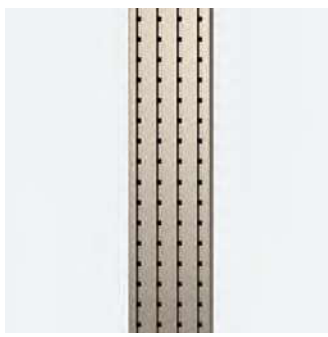

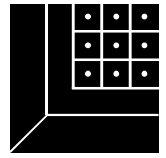
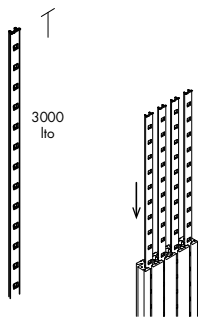


	Panel profile, horizontal	End cap	Panel profile, vertical																																				
Dimensions	 	 	 																																				
Characteristics	<p>Horizontal use.</p> <p>Choices profiles can be cut to length by the customer.</p> <p>Slight variations in colour are possible for production reasons.</p> <p>Flammability class B2 (according to DIN 4102-1) Flammability class D (according to EN 13501-1) possible on request</p> <p>Max. weight load = 40 kg per 625 mm</p> <p>⚠ Observe the assembly and operating instruction</p>	<p>Horizontal use.</p> <p>Is screwed to the panel profile from the back.</p>	<p>Vertical use.</p> <p>Slight variations in colour are possible for production reasons.</p> <p>Flammability class B2 (according to DIN 4102-1) Flammability class D (according to EN 13501-1) possible on request</p> <p>Max. weight load = 40 kg per 625 mm</p> <p>⚠ Observe the assembly and operating instruction</p>																																				
Order number	<table border="1"> <tr> <td>darkbrown</td> <td></td> <td></td> </tr> <tr> <td>4000 mm</td> <td>⊙</td> <td>334-019.04</td> </tr> <tr> <td>lto 250-4000 mm</td> <td>⊙</td> <td>334-020.04</td> </tr> <tr> <td>4000 mm</td> <td></td> <td></td> </tr> <tr> <td>with holes</td> <td>⊙</td> <td>334-318.04</td> </tr> <tr> <td>lto 412.5-4000 mm</td> <td></td> <td></td> </tr> <tr> <td>with holes</td> <td>⊙</td> <td>334-319.04</td> </tr> </table> <p>Colour to order possible - Minimum order quantity of 250 m per profile required.</p>	darkbrown			4000 mm	⊙	334-019.04	lto 250-4000 mm	⊙	334-020.04	4000 mm			with holes	⊙	334-318.04	lto 412.5-4000 mm			with holes	⊙	334-319.04	<table border="1"> <tr> <td>darkbrown</td> <td></td> <td></td> </tr> <tr> <td></td> <td>●</td> <td>322-506.04</td> </tr> </table> <p>Set of 2 pcs. Incl. fixing set.</p>	darkbrown				●	322-506.04	<table border="1"> <tr> <td>darkbrown</td> <td></td> <td></td> </tr> <tr> <td>3000 mm</td> <td>⊙</td> <td>334-051.04</td> </tr> <tr> <td>lto 250-3000 mm</td> <td>⊙</td> <td>334-069.04</td> </tr> </table> <p>Incl. infill profile.</p> <p>Colour to order possible - Minimum order quantity of 250 m per profile required.</p>	darkbrown			3000 mm	⊙	334-051.04	lto 250-3000 mm	⊙	334-069.04
darkbrown																																							
4000 mm	⊙	334-019.04																																					
lto 250-4000 mm	⊙	334-020.04																																					
4000 mm																																							
with holes	⊙	334-318.04																																					
lto 412.5-4000 mm																																							
with holes	⊙	334-319.04																																					
darkbrown																																							
	●	322-506.04																																					
darkbrown																																							
3000 mm	⊙	334-051.04																																					
lto 250-3000 mm	⊙	334-069.04																																					



Infill profile for vertical panel profile



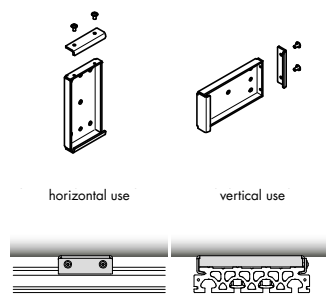
Vertical use.

Is required if a horizontal panel profile is to be used as a vertical panel profile.

ⓘ *Observe the assembly and operating instruction*

darkbrown		
3000 mm	⊖	932-354.04
hto 250-3000 mm	⊖	932-355.04

Wall fixation bracket for single panel profile



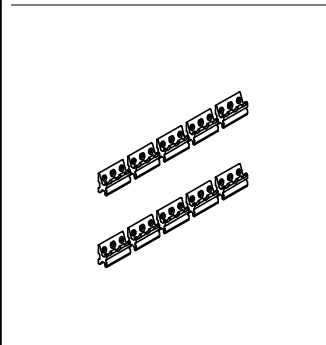
Horizontal and vertical use.

ⓘ *Observe the assembly and operating instruction*

darkbrown	○	322-517.04
-----------	---	-------------------

Incl. fixing set for Choices profile.

Set of mounting elements



Horizontal and vertical use.

For direct mounting on a covered substructure or on a frame substructure made of construction wood or multiplex.

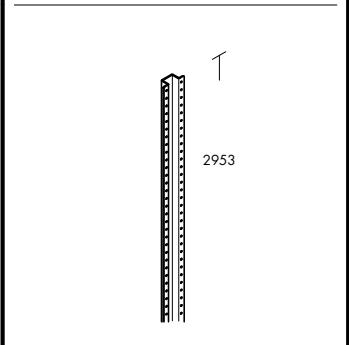
For continuous panel structures.

ⓘ *Observe the assembly and operating instruction*

raw	●	322-504.00
-----	---	-------------------

Set of 10 pcs.

Mounting profile



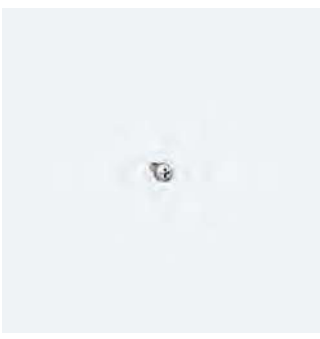
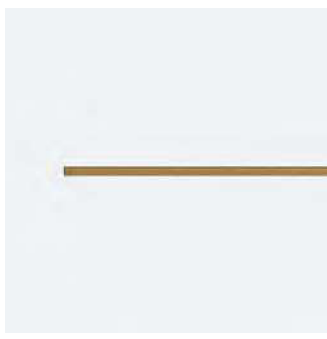


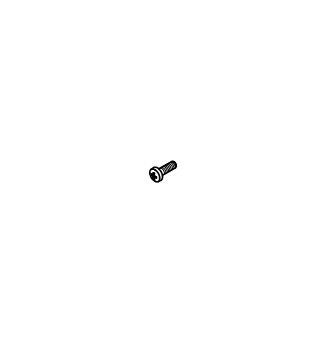
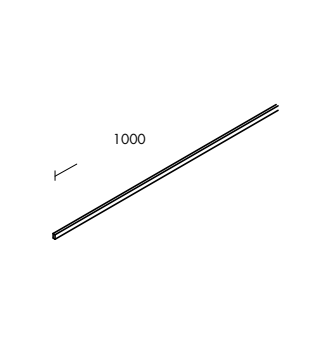
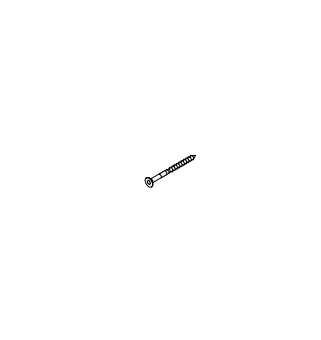
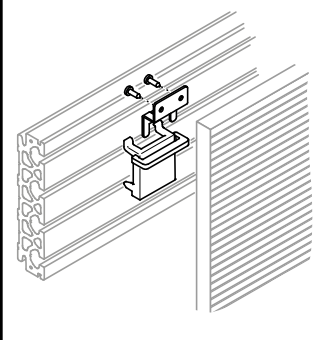
Horizontal and vertical use.

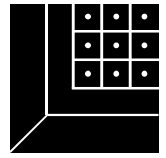
In connection with mounting elements and set of fixation screws for flat panel structures.
At intervals of 22.5 mm / 45 mm without wall fixation brackets.
Recommended for a given, covered panel, to increase its load-bearing capacity, e.g. dry construction.

Fixed length for max. room height of 3000 mm can be shortened on site.

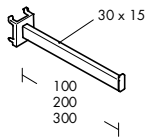
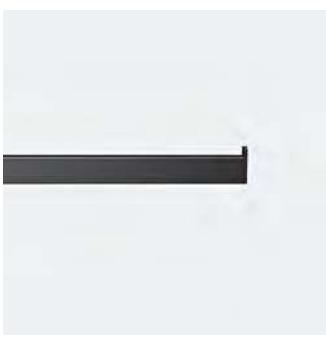
ⓘ *Observe the assembly and operating instruction*

zinc coated	○	386-440.21
-------------	---	-------------------

Screw set	Connection bar set	Screws for attachment from the front	Fixing set for Choices profiles
			
			
<p>In connection with mounting elements and mounting profile for flat panel structures.</p>	<p>Horizontal and vertical use. Is fitted in the groove on the narrow side so that panel profiles can be assembled in a perfect line.</p> <p>! <i>Observe the assembly and operating instruction</i></p>	<p>Screws for securing the panel profile to the substructure.</p>	<p>Horizontal and vertical use. Max. weight load = 20 kg</p>
<p>zinc coated ○ 322-519.21</p>	<p>raw ○ 322-637.00</p>	<p>black zinc coated ○ 963-521.22</p>	<p>Black steel duro ● 323-167.26</p>
<p>Set of 100 pcs.</p>	<p>Set of 10 pcs.</p>	<p>Set of 250 pcs.</p>	<p>Consisting of support bracket and suspension lug.</p>



Front arm, straight 30 x 15 mm



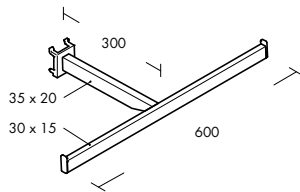
Horizontal and vertical use.

Max. weight load = 20 kg

black steel duro	
100 mm	<input type="radio"/> 371-617.26
200 mm	<input type="radio"/> 371-616.26
300 mm	<input type="radio"/> 371-615.26

Hanging rail 30 x 15 mm, 600 mm

T arm

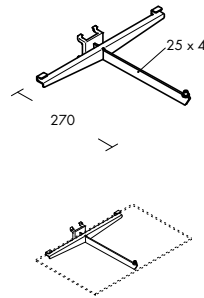


Vertical use. Horizontal use possible.

Max. weight load = 20 kg

black steel duro	<input type="radio"/> 371-623.26
------------------	---

Support bracket 25 x 4 mm for wooden or glass shelf



Vertical use. Horizontal use possible.

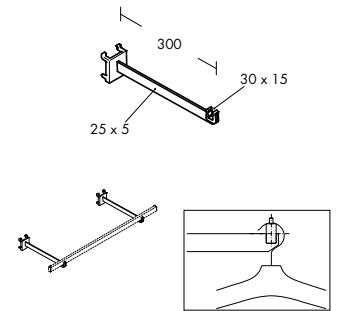
Max. weight load = 20 kg

Max. display depth = 380 mm

- 🔗 Drawing no. 978-388 Glass shelf 8 mm
- 🔗 Drawing no. 375-895 Wooden shelf 19 mm

black steel duro	<input type="radio"/> 371-624.26
------------------	---

Bracket 25 x 5 mm for hanging rail 30 x 15 mm



Horizontal and vertical use.

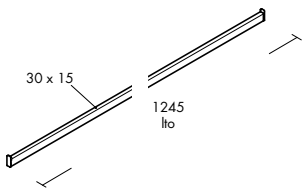
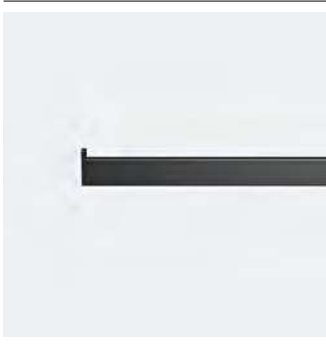
Coat-hangers can slide along the entire length of the hanging rail.

Max. weight load = 20 kg per bracket

black steel duro	<input type="radio"/> 371-625.26
------------------	---

At least 2 brackets are required per hanging rail.

Hanging rail 30 x 15 mm
rectangular tube

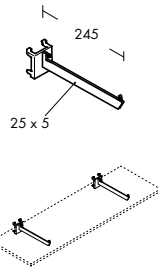


To be inserted into brackets for hanging rail.

black steel duro
1245 mm ○ **315-756.26**
lto 620-2445 mm ⊙ **315-758.26**

620-1245 mm => 2 brackets
1246-1870 mm => 3 brackets
1871-2445 mm => 4 brackets

Bracket 25 x 5 mm
for wooden shelf

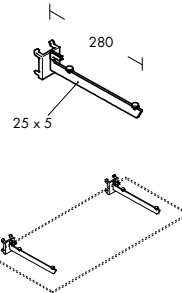


Horizontal and vertical use.
Max. weight load = 20 kg per bracket
Max. display depth = 380 mm
📄 Drawing no. 286-619 Wooden shelf 19 mm

black steel duro
● **371-626.26**

At least 2 brackets are required per shelf.

Bracket 25 x 5 mm
for glass shelf

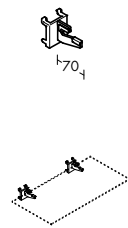


Horizontal and vertical use.
Max. weight load = 20 kg per bracket
Max. display depth = 380 mm
📄 Drawing no. 286-620 Glass shelf 8 mm

black steel duro
○ **371-627.26**

At least 2 brackets are required per shelf.

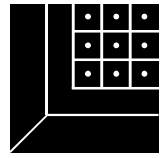
Clamping bracket
for glass shelf


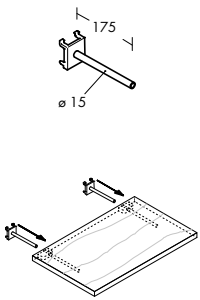

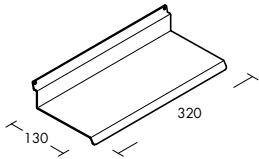

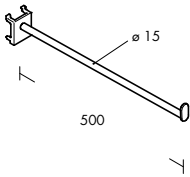

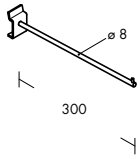



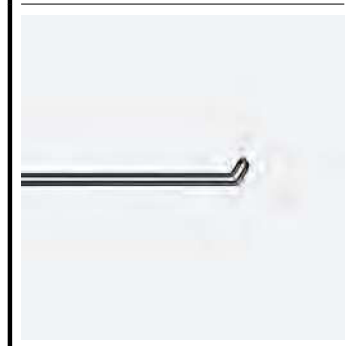
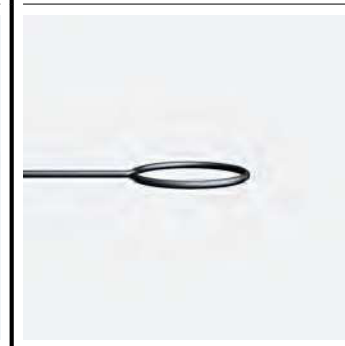

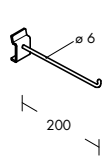
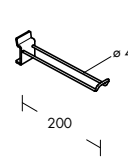
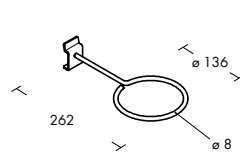
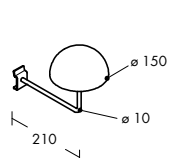
Horizontal and vertical use.
Max. weight load = 15 kg per bracket
Max. display depth = 380 mm
📄 Drawing no. 286-620 Glass shelf 8 mm

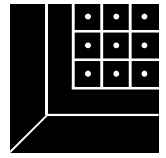
black steel duro
○ **371-628.26**

At least 2 brackets are required per shelf.



<p>Bracket for wooden shelf</p>   <p>Horizontal and vertical use. Max. weight load = 15 kg per bracket Max. display depth = 380 mm</p> <ul style="list-style-type: none"> 📄 Drawing no. 380-025 Wooden shelf ⚠️ Observe the assembly and operating instruction <hr/> <p>black steel duro <input type="radio"/> 371-629.26</p> <p>At least 2 brackets are required per shelf.</p>	<p>Shoe shelf for sideways display, straight for one shoe</p>   <p>Horizontal use. Max. weight load = 3 kg</p> <hr/> <p>black steel duro <input checked="" type="radio"/> 247-343.26</p>	<p>Front arm, straight Ø 15 mm for backpacks</p>   <p>Horizontal and vertical use. Max. weight load = 8 kg</p> <hr/> <p>black steel duro <input checked="" type="radio"/> 371-986.26</p>	<p>Front arm, straight Ø 8 mm for backpacks</p>   <p>Horizontal use. Max. weight load = 4 kg</p> <hr/> <p>black steel duro 300 mm <input type="radio"/> 371-963.26</p>
---	--	--	--

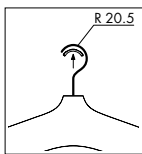
Hook straight \varnothing 6 mm	Looped hook \varnothing 4 mm	Ball holder	Hat bar
			
			
<p>Horizontal use. Max. weight load = 1 kg</p>	<p>Horizontal use. Max. weight load = 3 kg</p>	<p>Horizontal use. Max. weight load = 3 kg</p>	<p>Horizontal use. Max. weight load = 3 kg</p>
<p>black steel duro 200 mm <input type="radio"/> 371-962.26</p>	<p>black steel duro 200 mm <input type="radio"/> 371-830.26</p>	<p>black steel duro 200 mm <input type="radio"/> 371-985.26</p>	<p>black steel duro 200 mm <input type="radio"/> 371-983.26</p>



Sciss



100 x 



Prevents scratches on hanging rails and front arms in silk or stainless steel.

To clip into coat hanger hook (Ø 3.4–3.8 mm).

transparent

● **929-449.02**

Set of 100 pcs.