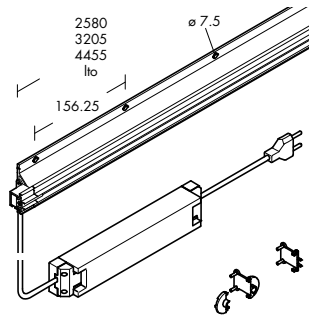
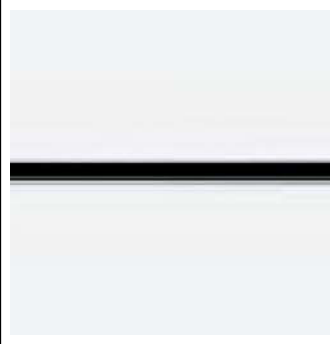


Dimensions

Characteristics

Order number

Invisible 6 P/L profile
electrified, with power supply



Electrical profile must only be connected by authorised qualified personnel.

Please observe max. weight loads of merchandise supports.

⚠ No alterations may be made to the Invisible 6 P/L profile for safety reasons, with the exception of shortening the profile on the right-hand side. Only Invisible 6 and Invisible 6 P/L merchandise supports and accessories may be used. Do not use any other parts!

Max. weight load = 40 kg per 625 mm
Connection 220–240 V / 50–60 Hz
Nominal voltage = 24 V / SELV
Electrical load max. 20 W/m

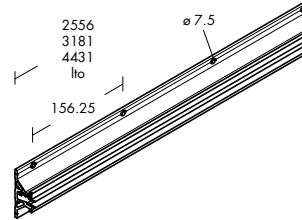
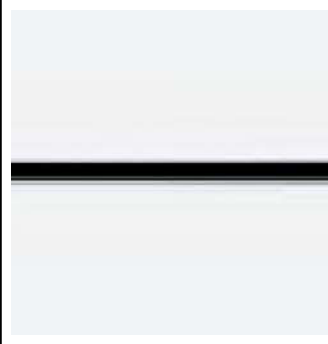
Merchandise supports, see Invisible 6 range.

🔧 Observe the assembly and operating instruction

natural anodised aluminium	
2580 mm ●	225-956.05
3205 mm ●	225-957.05
4455 mm ●	225-958.05
lto 705 - 4455 mm ○	225-959.05

Incl. 1 flat end cap and 2 round end caps.
Power supply is packed separately.

Invisible 6 P/L profile
electrified, without power supply



Electrical profile must only be connected by authorised qualified personnel.

Please observe max. weight loads of merchandise supports.

⚠ No alterations may be made to the Invisible 6 P/L profile for safety reasons, with the exception of shortening the profile on the right-hand side. Only Invisible 6 and Invisible 6 P/L merchandise supports and accessories may be used. Do not use any other parts!

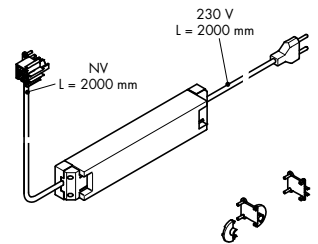
Max. weight load = 40 kg per 625 mm
Nominal voltage = 24 V / SELV
Electrical load max. 20 W/m

Merchandise supports, see Invisible 6 range.

🔧 Observe the assembly and operating instruction

natural anodised aluminium	
2556 mm ●	225-931.05
3181 mm ●	225-932.05
4431 mm ●	225-933.05
lto 681 - 4431 mm ○	225-981.05

Power supply 24 V
with converter



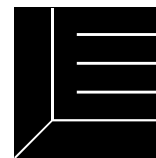
Power supply must only be connected by authorised qualified personnel.





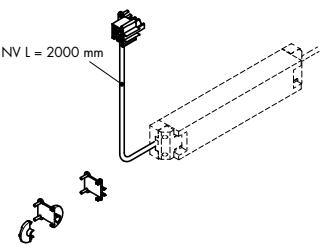
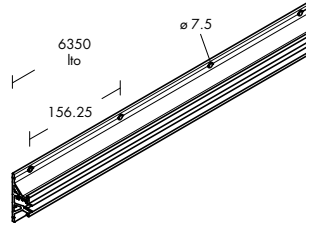
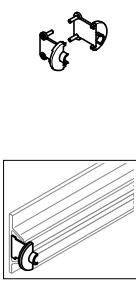

Connection 220–240 V / 50–60 Hz
Nominal voltage = 24 V / SELV

🔧 Observe the assembly and operating instruction

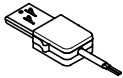
plastic	
(250 - 1200 mm) ●	225-934.19
(1201 - 2800 mm) ●	349-084.19
(2801 - 4455 mm) ●	349-085.19

Incl. 1 flat end cap and 2 round end caps and 1 converter.



Power supply 24 V without converter	Invisible 6 P/L profile without electrical power	End cap for a round profile end	Single power adapter 24 V for glass shelf 6 mm
			
			
<p>Power supply must only be connected by authorised qualified personnel.</p> <p>Nominal voltage = 24 V / SELV Nominal current max. 6 A</p> <p>Required converter: 0–1200 mm => min. 30 W 1201–2800 mm => min. 60 W 2801–4455 mm => min. 100 W</p> <p>ⓘ <i>Observe the assembly and operating instruction</i></p>	<p>Please observe max. weight loads of merchandise supports.</p> <p>⚠ Only Invisible 6 and Invisible 6 P/L merchandise supports and accessories may be used. Do not use any other parts!</p> <p>Max. weight load = 40 kg per 625 mm</p> <p>Merchandise supports, see Invisible 6 range.</p> <p>ⓘ <i>Observe the assembly and operating instruction</i></p>	<p>To be inserted into profile without electrical power. For left and right.</p>	<p>To be inserted into the electrical profile. The single power adapter must only be connected by authorised qualified personnel.</p> <p>Nominal voltage = 24 V / SELV Nominal current max. 4 A</p> <p>⚠ The single power adapter may only be used with the Invisible 6 P/L profile!</p> <p>📄 Drawing no. 251-856 Glass shelf 6 mm</p> <p>ⓘ <i>Observe the assembly and operating instruction</i></p>
<p>plastic ● 225-940.19</p> <p>Incl. 1 flat end cap and 2 round end caps.</p>	<p>natural anodised aluminium</p> <p>6350 mm ☉ 322-134.05 lto 250 - 6310 mm ☉ 322-135.05</p>	<p>silver ● 322-140.05</p> <p>Set of 2 pcs.</p>	<p>silver ● 225-943.19</p> <p>LED lighting fixture with direct contact and flat cable 2-pole must be ordered separately.</p>

Single power adapter 24 V
with locking mechanism, for various
appliances



To be inserted into the electrical profile.
The single power adapter must only
be connected by authorised qualified
personnel.

In addition to the connection of lighting
fixtures, it is also possible to connect
other types of electrical equipment whose
overall power consumption does not
exceed 4 A.

⚠ The single power adapter may only
be used with the Invisible 6 P/L
profile!

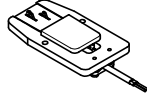
Nominal voltage = 24 V / SELV
Nominal current max. 4 A

ⓘ *Observe the assembly and operating
instruction*

silver ● **225-945.19**

Incl. supply cable for electrical
appliances L = 500 mm.

Single power adapter 24 V
for wooden shelf



With screw terminals and mounting plate
for wooden shelf.

To be inserted into the electrical profile.
The single power adapter must only
be connected by authorised qualified
personnel.

⚠ The single power adapter may only
be used with the Invisible 6 P/L
profile!

Nominal voltage = 24 V / SELV
Nominal current max. 4 A

ⓘ Drawing no.
251-870 Wooden shelf

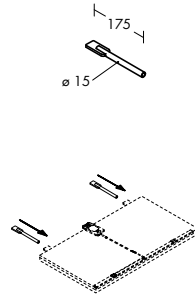
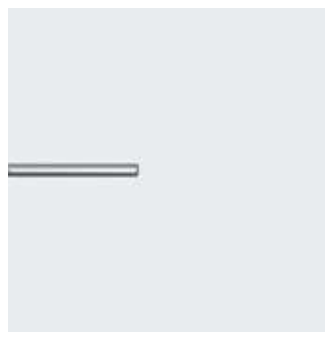
ⓘ *Observe the assembly and operating
instruction*

silver ● **225-946.19**

Incl. supply cable for electrical
appliances L = 500 mm.

At least 2 brackets 321-729.31 are
required per shelf.

Bracket Ø 15 mm
for wooden shelf



Max. weight load = 15 kg per bracket

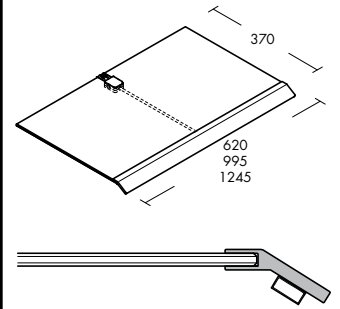
ⓘ Drawing no.
251-870 Wooden shelf

ⓘ *Observe the assembly and operating
instruction*

raw silk ● **321-729.31**

At least 2 brackets are required per shelf.

Glass shelf with LED lighting



To be inserted into electrical profile.

Nominal voltage = 24 V / SELV
Lamp 10/15/20 W
Light color: warm white (3100 K)

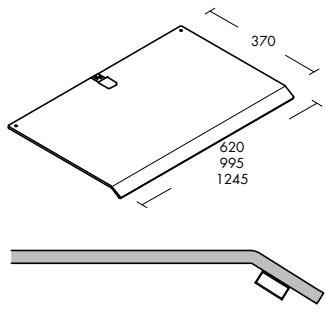
Max. weight load = 20 kg

Max. display depth = 340 mm

bright silver duro / clear	
620 mm (10 W)	⊙ 331-073.42
995 mm (15 W)	⊙ 331-074.42
1245 mm (20 W)	⊙ 331-075.42
bright silver duro / satinato	
620 mm (10 W)	⊙ 331-073.45
995 mm (20 W)	⊙ 331-074.45
1245 mm (20 W)	⊙ 331-075.45



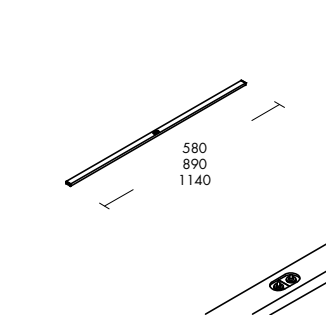
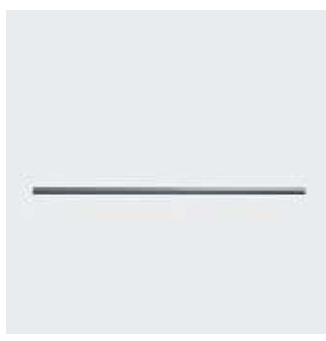
Aluminium shelf with LED lighting



To be inserted into electrical profile.
 Nominal voltage = 24 V / SELV
 Lamp 10/15/20 W
 Light color: warm white (3100 K)
 Max. weight load = 20 kg
 Max. display depth = 340 mm

bright silver duro	
620 mm (10 W)	⊙ 331-076.12
995 mm (15 W)	⊙ 331-077.12
1245 mm (20 W)	⊙ 331-078.12

LED lighting fixture with direct contact for glass shelf

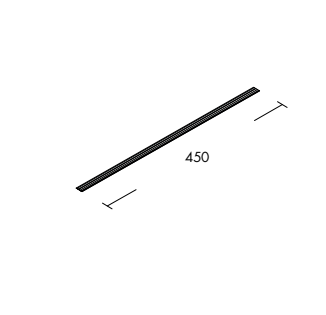


Fixation using adhesive tape or enclosed brackets.
 Recommendation:
 - Two-pole ribbon cable to stick
 Visplay no. 064-995.00
 - Copper shielding tape: SCOTCH 1181
 - Printing of strip conductors:
 contact Visplay
 Nominal voltage = 24 V / SELV
 Lamp 10/15/20 W
 Light color: warm white (3100 K)
 ① Drawing no.
 066-904 Glass shelf 6 mm
 ② Observe the assembly and operating instruction

natural anodised aluminium	
580 mm (10 W)	● 917-782.05
890 mm (15 W)	● 917-842.05
1140 mm (20 W)	● 917-841.05

1 single power adapter 24 V
 225-943.19 is also required per lamp.

Flat cable 2-pole to glue on the glass shelf

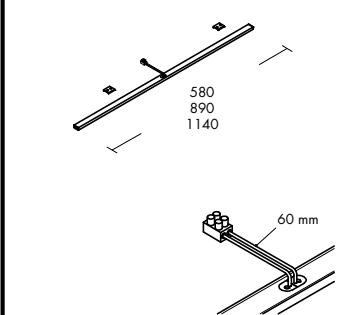
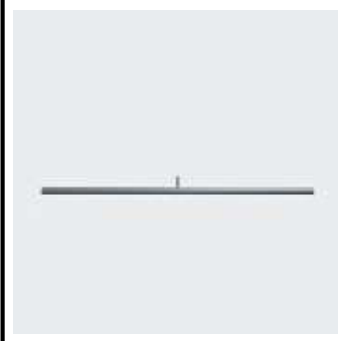


Max. power transmission = 1 A

064-995.00

1 flat cable is required per glass shelf.

LED lighting fixture with cable connection for wooden shelf



Nominal voltage = 24 V / SELV
 Lamp 10/15/20 W
 Light color: warm white (3100 K)
 Fixation using enclosed brackets.

- ① Drawing no.
251-870 Wooden shelf
- ② Observe the assembly and operating instruction

natural anodised aluminium	
580 mm (10 W)	● 917-843.05
890 mm (15 W)	● 917-844.05
1140 mm (20 W)	● 917-845.05

1 single power adapter 24 V
 225-946.19 is also required per lamp.