


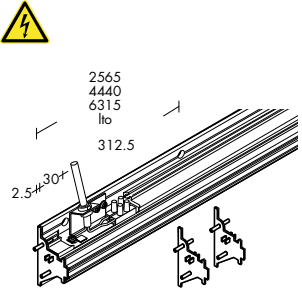
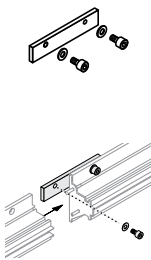
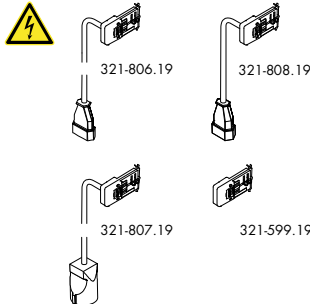
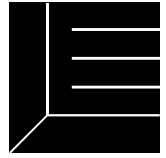
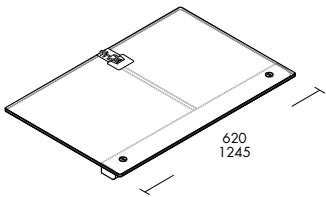


	<p><b>Invisible 8 P profile</b> electrified</p> 	<p><b>Connection set</b></p> 	<p><b>Single power adapter 250 V</b></p> 
<p><b>Dimensions</b></p>			
<p><b>Characteristics</b></p>	<p>Electrical profile must only be connected by authorised qualified personnel.</p> <p>Please observe max. weight loads of merchandise supports.</p> <p>⚠ No alterations may be made to the Invisible 8 P profile for safety reasons. Only Invisible 8 and Invisible 8 P merchandise supports and accessories may be used. Do not use any other parts!</p> <p>Max. weight load = 40 kg per 625 mm</p> <p>Nominal voltage = 250 V</p> <p>Nominal current max. 16 A</p> <p>Merchandise supports, see Invisible 8 range.</p> <p>⚠ Observe the assembly and operating instruction</p>	<p>For connecting 2 Invisible 8 profiles.</p> <p>⚠ Observe the assembly and operating instruction</p>	<p>To be inserted into the electrical profile. The single power adapter 321-599.19 must only be connected by authorised qualified personnel.</p> <p>In addition to the connection of lighting fixtures, it is also possible to connect other types of electrical equipment whose overall power consumption does not exceed 6(6) A.</p> <p>⚠ The single power adapter may only be used with the Xero 8 P or Invisible 8 P profile!</p> <p>Nominal voltage = 250 V</p> <p>Nominal current max. 6 (6) A</p> <p>⚠ Observe the assembly and operating instruction</p>
<p><b>Order number</b></p>	<p>natural anodised aluminium</p> <p>2565 mm ● <b>929-755.05</b></p> <p>4440 mm ● <b>929-754.05</b></p> <p>6315 mm ● <b>929-753.05</b></p> <p>lto 250-6315 mm ○ <b>932-277.05</b></p> <p>Incl. 4 side covers, 2 are pre-assembled.</p>	<p>raw chromed ● <b>929-818.41</b></p>	<p>plastic</p> <p>with Euro adapter ● <b>321-806.19</b></p> <p>with shock-proof plug ● <b>321-807.19</b></p> <p>with shock-proof plug (FR) ○ <b>321-902.19</b></p> <p>with 3 pole adapter (Swiss) ● <b>321-808.19</b></p> <p>connection by trained personnel ● <b>321-599.19</b></p>



## Glass shelf with lighting



To be inserted into electrical profile.

Max. weight load = 20 kg

silver mat / transparent

13 Watt

620 x 410 mm ○ **929-767.41**

28 Watt

1245 x 410 mm ○ **929-769.41**

silver mat / satinato

13 Watt

620 x 410 mm ○ **929-767.44**

28 Watt

1245 x 410 mm ○ **929-769.44**