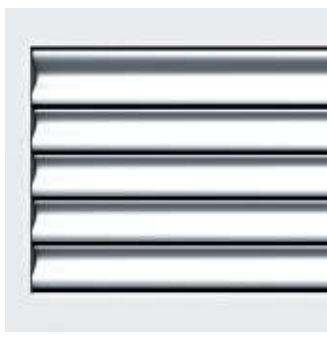
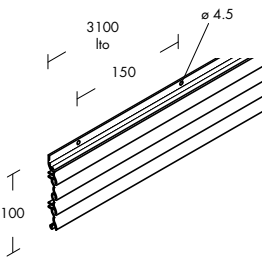
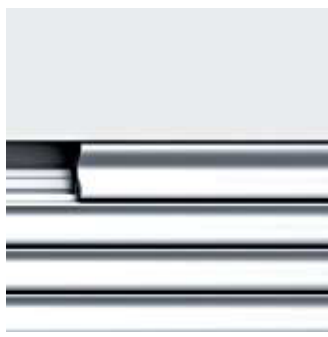
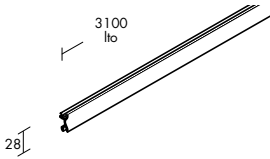

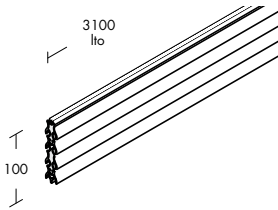
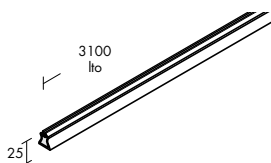
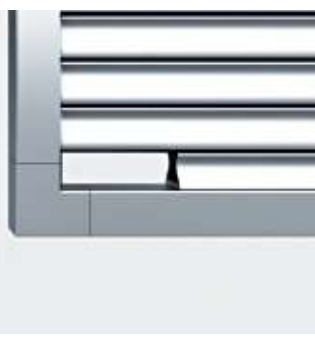


	MixMix profile single-sided	End profile single-sided top	MixMix profile double-sided
<b>Dimensions</b>	 	 	 
<b>Characteristics</b>	<p>ⓘ Observe the assembly and operating instruction</p>	<p>Is fitted on the MixMix single-sided profile.</p> <p>ⓘ Observe the assembly and operating instruction</p>	<p>ⓘ Observe the assembly and operating instruction</p>
<b>Order number</b>	<p>natural anodised aluminium</p> <p>3100 mm ☉ <b>334-789.05</b></p> <p>lto 250-3100 mm ☉ <b>334-790.05</b></p> <p>End profile must be ordered separately.</p>	<p>natural anodised aluminium</p> <p>3100 mm ☉ <b>334-791.05</b></p> <p>lto 250-3100 mm ☉ <b>334-792.05</b></p>	<p>natural anodised aluminium</p> <p>3100 mm ☉ <b>334-793.05</b></p> <p>lto 250-3100 mm ☉ <b>334-794.05</b></p> <p>End profiles must be ordered separately.</p>



**End profile**  
double-sided bottom

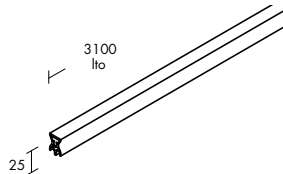


Is fitted to the MixMix profile (double-sided).

⚠ Observe the assembly and operating instruction

natural anodised aluminium	
3100 mm	⊙ <b>334-795.05</b>
lto 250-3100 mm	⊙ <b>334-796.05</b>

**End profile**  
double-sided top

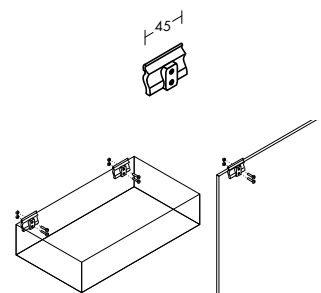
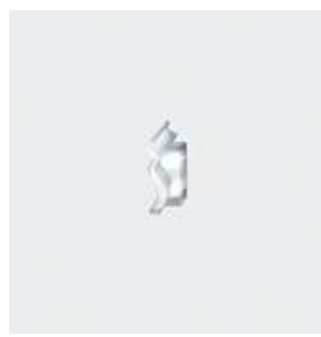


Is fitted to the MixMix profile (double-sided).

⚠ Observe the assembly and operating instruction

natural anodised aluminium	
3100 mm	⊙ <b>334-797.05</b>
lto 250-3100 mm	⊙ <b>334-798.05</b>

**Universal support bracket**

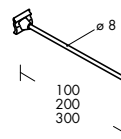
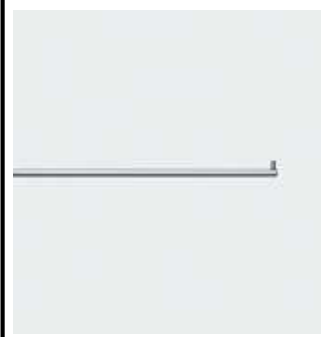


For decorative panels or acrylic glass boxes.

Max. weight load = 2 kg per adapter

plastic semi-transparent	
	● <b>981-287.02</b>

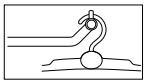
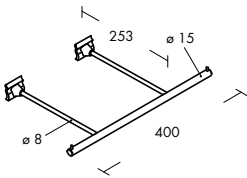
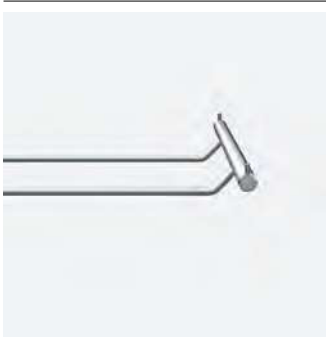
**Front arm, straight Ø 8 mm**



Max. weight load = 4 kg

chrome / plastic semi-transparent	
100 mm	○ <b>395-201.42</b>
200 mm	● <b>395-202.42</b>
300 mm	● <b>395-203.42</b>
silk / plastic semi-transparent	
100 mm	○ <b>395-201.32</b>
200 mm	● <b>395-202.32</b>
300 mm	● <b>395-203.32</b>

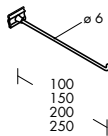
Hanging frame Ø 15 mm



Max. weight load = 8 kg

- chrome / plastic semi-transparent ○ **395-206.42**
- silk / plastic semi-transparent ○ **395-206.32**

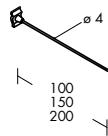
Hook, straight Ø 6 mm



Max. weight load = 1 kg

- chrome / plastic semi-transparent ● **984-510.42**
- 100 mm ● **984-511.42**
- 150 mm ● **984-512.42**
- 200 mm ● **984-512.42**
- 250 mm ● **984-513.42**

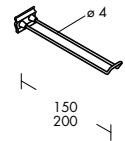
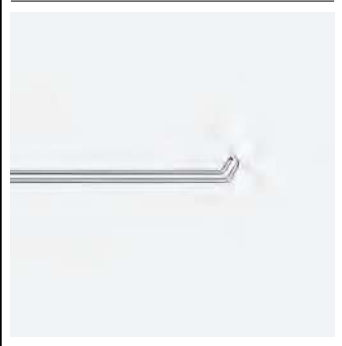
Hook, straight Ø 4 mm



Max. weight load = 1 kg

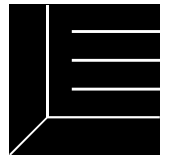
- chrome / plastic semi-transparent ● **984-505.42**
- 100 mm ● **984-506.42**
- 150 mm ● **984-507.42**
- 200 mm ● **984-507.42**

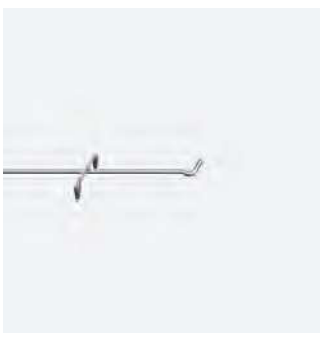


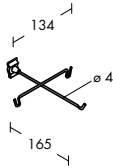
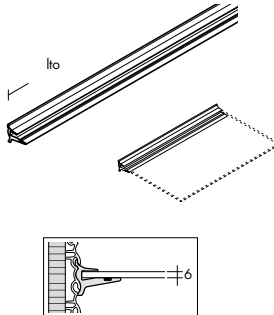

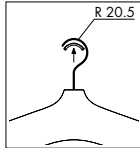
Looped hook Ø 4 mm



Max. weight load = 3 kg

- chrome / plastic semi-transparent ● **984-508.42**
- 150 mm ● **984-509.42**
- 200 mm ● **984-509.42**



Eyewear holder Ø 4 mm	Shelf profile	Sliss
		
		<p>100 x </p> 
<p>Max. weight load = 1 kg</p>	<p>For shelves 6 mm in thickness.                      Max. weight load = 10 kg                      ● Drawing no. 289-876 Glass shelf 6 mm</p>	<p>Prevents scratches on hanging rails and front arms in silk or stainless steel.                      To clip into coat hanger hook (Ø 3.4–3.8 mm).</p>
<p>chrome / plastic semi-transparent                      ○ <b>984-582.42</b></p>	<p>natural anodised aluminium                      lto 50 - 3100 mm ○ <b>334-839.05</b></p>	<p>transparent ● <b>929-449.02</b>                      Set of 100 pcs.</p>