
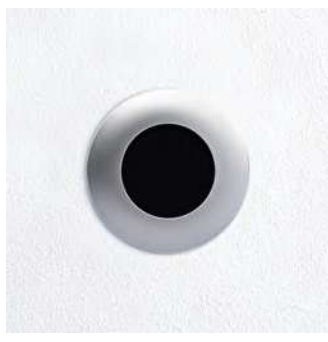

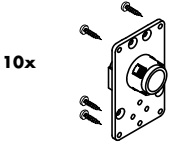
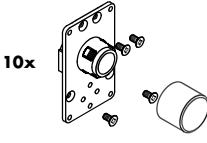

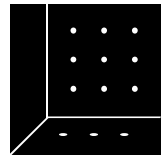
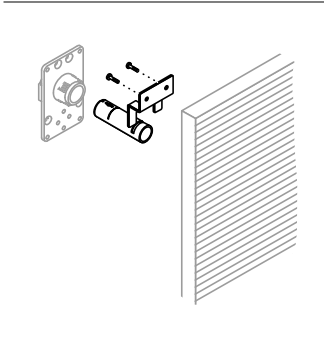


| | Mono 20 holder set for wooden panels | Mono 20 G holder set for plasterboard | Set of cover caps |
|------------------------|---|--|--|
| |  |  |  |
| Dimensions |  10x |  10x |  10x |
| Characteristics | Max. weight load = 40 kg per holder ⓘ Observe the assembly and operating instruction | Max. weight load = 40 kg per holder ⓘ Observe the assembly and operating instruction | Plastic. |
| Order number | chrome ○ 320-056.01 silk ○ 320-056.30 raw ○ 320-056.00 Set of 10 pcs with 6 screws per holder. | raw ○ 320-057.00 Set of 10 pcs with 4 screws per holder. Set of cover caps to be ordered separately. | chrome ○ 320-059.01 silk ○ 320-059.30 Set of 10 pcs. |



Fixing set
for Mono 20 / Mono 20 G holder



To be screwed to the back of wooden panels.

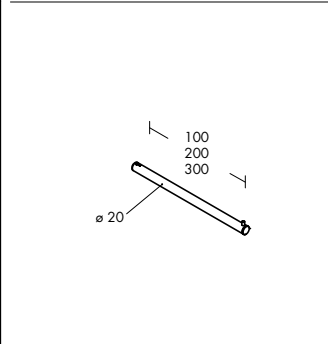
Max. weight load = 20 kg

raw chromed

● **320-254.41**

Consisting of adapter and suspension lug.

Front arm, straight Ø 20 mm



Max. weight load = 20 kg

chrome

100 mm ● **395-283.01**

200 mm ● **395-285.01**

300 mm ● **395-287.01**

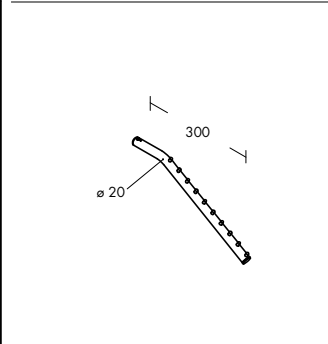
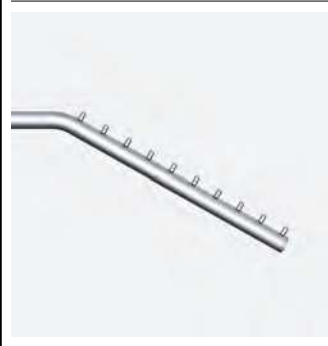
silk

100 mm ● **395-283.30**

200 mm ● **395-285.30**

300 mm ● **395-287.30**

Front arm, sloping Ø 20 mm



With 10 pins.

Max. weight load = 20 kg

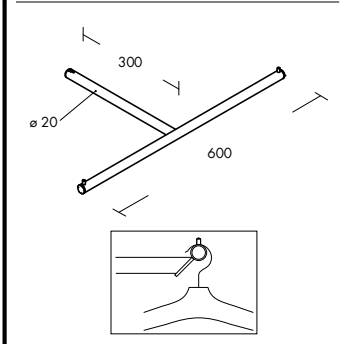
chrome

○ **395-289.01**

silk

● **395-289.30**

Hanging rail Ø 20 mm, 600 mm
T arm



Max. weight load = 15 kg

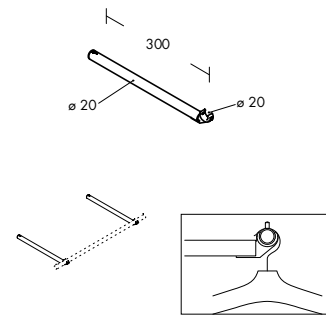
chrome

○ **395-310.01**

silk

● **395-310.30**

Bracket Ø 20 mm
for hanging rail Ø 20 mm



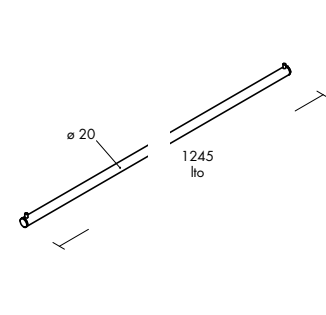
Coat-hangers can slide along the entire length of the hanging rail.

Max. weight load = 15 kg per bracket

| | |
|--------|---------------------|
| chrome | ● 395-293.01 |
| silk | ● 395-293.30 |

At least 2 brackets are required per hanging rail.

Hanging rail Ø 20 mm

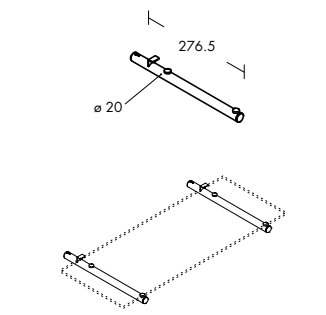


To be inserted into brackets for hanging rail.

| | | |
|----------------|---------------------|---------------------|
| chrome | 1245 mm | ○ 316-388.01 |
| to 620–2445 mm | ○ 316-389.01 | |
| silk | 1245 mm | ○ 316-388.30 |
| to 620–2445 mm | ○ 316-389.30 | |

620–1245 mm => 2 brackets
1246–1870 mm => 3 brackets
1871–2445 mm => 4 brackets

Bracket Ø 20 mm
for wooden or glass shelf



Max. weight load = 15 kg per bracket

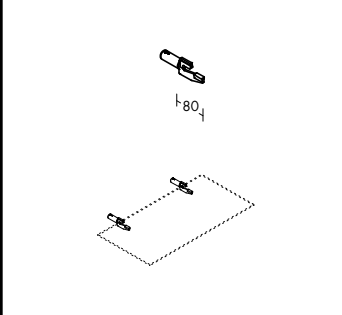
Max. display depth = 380 mm

- 🔗 Drawing no. 286-620 Glass shelf 8 mm
- 🔗 Drawing no. 980-299 Wooden shelf

| | |
|--------|---------------------|
| chrome | ○ 395-297.01 |
| silk | ● 395-297.30 |

At least 2 brackets are required per shelf.

Clamping bracket
for glass shelf



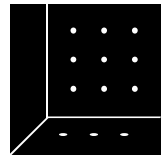
Max. weight load = 10 kg per bracket

Max. display depth = 320 mm

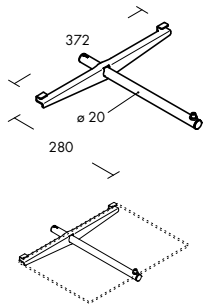
- 🔗 Drawing no. 286-613 Glass shelf 8 mm

| | |
|------|---------------------|
| silk | ● 341-356.30 |
|------|---------------------|

At least 2 brackets are required per shelf.



Support bracket Ø 20 mm
for wooden or glass shelf

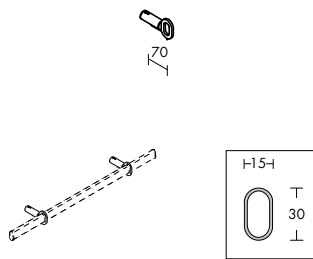


Max. weight load = 15 kg
Max. display depth = 380 mm

- 📄 Drawing no.
978-388 Glass shelf 8 mm
- 📄 Drawing no.
375-895 Wooden shelf 19 mm

| | |
|--------|---------------------|
| chrome | ● 395-299.01 |
| silk | ● 395-299.30 |

Bracket
for hanging rail 30 x 15 mm, oval

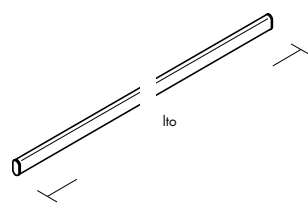
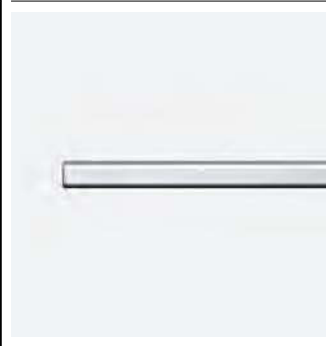


Max. weight load = 20 kg per bracket

At least 2 brackets are required per hanging rail.

| | |
|------|---------------------|
| silk | ● 395-316.30 |
|------|---------------------|

Hanging rail 30 x 15 mm
oval tube



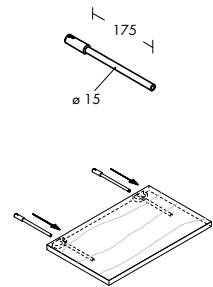
To be inserted into brackets for hanging rail 30 x 15 mm, oval.

For merchandise supports such as front arms and hooks for hanging on oval bars, see Stabilo range.

| | | |
|--------|-----------------|---------------------|
| chrome | lto 620–2445 mm | ⊙ 306-400.01 |
| silk | lto 620–2445 mm | ⊙ 306-400.30 |

620–1245 mm => 2 brackets
1246–1870 mm => 3 brackets
1871–2445 mm => 4 brackets

Bracket
for wooden shelf

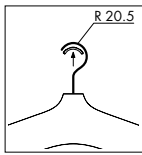


Max. weight load = 15 kg per bracket
Max. display depth = 380 mm

- 📄 Drawing no.
380-025 Wooden shelf
- ⚠️ Observe the assembly and operating instruction

| | |
|-------------|---------------------|
| raw chromed | ● 395-317.41 |
|-------------|---------------------|

At least 2 brackets are required per shelf.

Scliss**100 x** 

Prevents scratches on hanging rails and front arms in silk or stainless steel.

To clip into coat hanger hook (Ø 3.4–3.8 mm).

transparent

● **929-449.02**

Set of 100 pcs.