


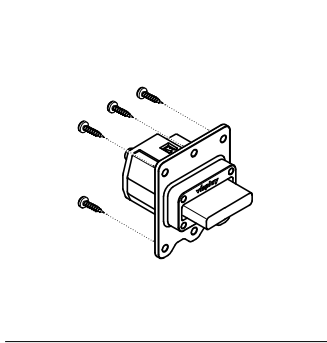
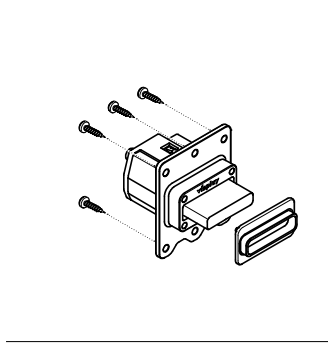
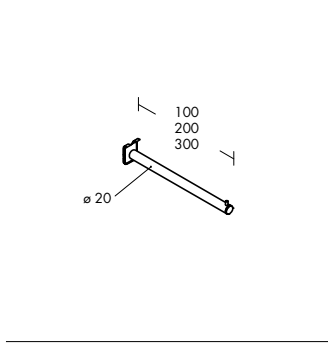
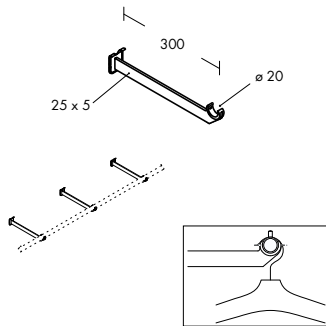


	Push 43 holder without frame	Push 43 holder with frame	Front arm, straight Ø 20 mm
			
Dimensions			
Characteristics	<p>Max. weight load = 20 kg per holder</p> <p>ⓘ Observe the assembly and operating instruction</p>	<p>Max. weight load = 20 kg per holder</p> <p>ⓘ Observe the assembly and operating instruction</p>	<p>Can also be used with Stripes.</p> <p>Max. weight load = 20 kg</p>
Order number	<p>can be painted</p> <hr/> <p style="text-align: right;">323-708.00</p> <p>Incl. fixing set.</p>	<p>chrome</p> <hr/> <p style="text-align: right;">323-709.01</p> <p>silk</p> <hr/> <p style="text-align: right;">323-709.30</p> <p>Incl. fixing set.</p>	<p>chrome</p> <hr/> <p>100 mm 362-309.01</p> <p>200 mm 362-310.01</p> <p>300 mm 362-311.01</p> <p>silk</p> <hr/> <p>100 mm 362-309.30</p> <p>200 mm 362-310.30</p> <p>300 mm 362-311.30</p>

Bracket 25 x 5 mm
for hanging rail Ø 20 mm

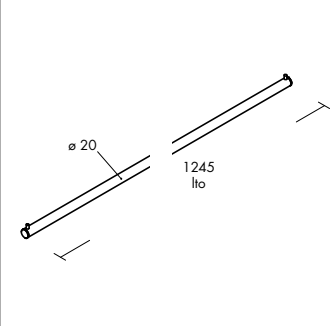
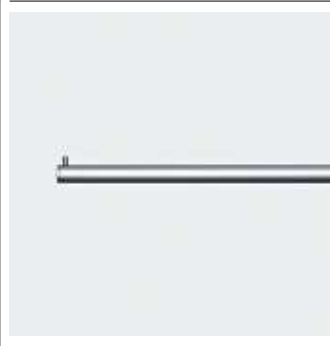


Can also be used with Stripes.
Coat-hangers can slide along the entire length of the hanging rail.
Max. weight load = 20 kg per bracket

chrome	362-325.01
silver mat	362-325.48

At least 2 brackets are required per hanging rail.

Hanging rail Ø 20 mm

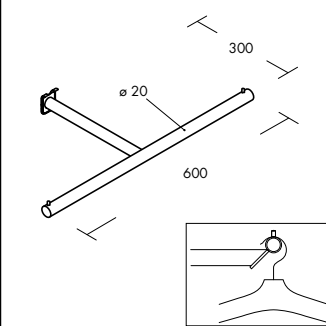


To be inserted into brackets for hanging rail.

chrome	1245 mm	316-388.01
lto	620–2445 mm	316-389.01
silk	1245 mm	316-388.30
lto	620–2445 mm	316-389.30

–625 mm => 2 brackets
626–1245 mm => 3 brackets
1246–1800 mm => 4 brackets
1801–2445 mm => 5 brackets

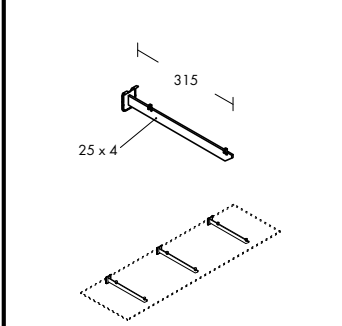
Hanging rail Ø 20 mm, 600 mm
T arm



Can also be used with Stripes.
Max. weight load = 20 kg

chrome	362-328.01
silk	362-328.30

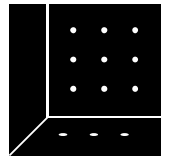
Bracket 25 x 4 mm
for wooden or glass shelf



Can also be used with Stripes.
Max. weight load = 20 kg per bracket
Max. display depth = 380 mm
☛ Drawing no. 286-620 Glass shelf 8 mm
☛ Drawing no. 980-299 Wooden shelf

chrome	362-330.01
silver mat	362-330.48

At least 2 brackets are required per shelf.
Shelf supports for glass shelf must be ordered separately.



Shelf support for glass shelf



Plastic.

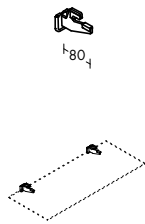
Are inserted on to pins of brackets for wooden and glass shelf, when using glass shelves.

silver

979-446.05

Set of 4 pcs.

Clamping bracket for glass shelf 8 mm



Can also be used with Stripes.

Max. weight load = 15 kg per bracket

Max. display depth = 380 mm

📄 Drawing no.
286-620 Glass shelf 8 mm

chrome

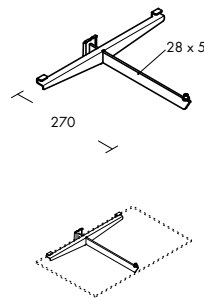
362-320.01

silk

362-320.30

At least 2 brackets are required per shelf.

Support bracket 28 x 5 mm for wooden shelf



Can also be used with Stripes.

Max. weight load = 20 kg

Max. display depth = 380 mm

📄 Drawing no.
375-895 Wooden shelf 19 mm

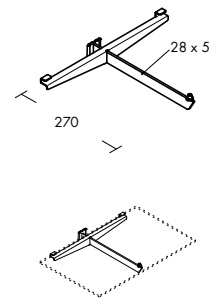
chrome

362-467.01

silver mat

362-467.48

Support bracket 28 x 5 mm for glass shelf



Can also be used with Stripes.

Max. weight load = 20 kg

Max. display depth = 380 mm

📄 Drawing no.
978-388 Glass shelf 8mm

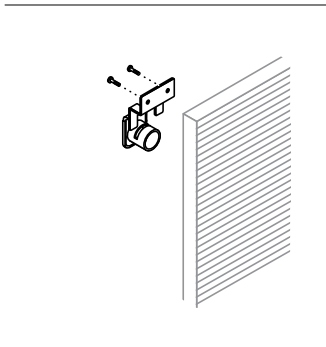
chrome

362-466.01

silver mat

362-466.48

Fixing set



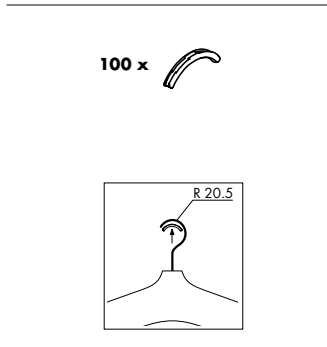
Can also be used with Stripes.
 To be screwed to the back of wooden panels.
 Max. weight load = 20 kg

raw chromed

362-336.41

Consisting of adapter and suspension lug.

Sliss



Prevents scratches on hanging rails and front arms in silk or stainless steel.
 To clip into coat hanger hook (Ø 3.4–3.8 mm).

transparent

929-449.02

Set of 100 pcs.