

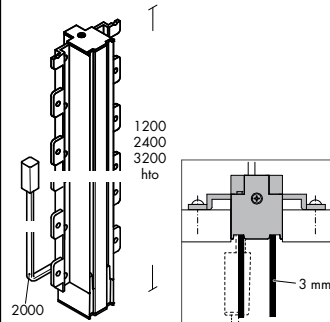
fixed axis distance

## Dimensions

## Characteristics

## Order number

### Xero Twin P/L profile electrified, without converter



Electrical profile must only be connected by authorised qualified personnel.

Please observe max. weight loads of merchandise supports.

⚠ No alterations may be made to the Xero Twin P/L profile for safety reasons, with the exception of shortening the profile from the top. Only Xero Twin and Xero Twin P/L merchandise supports and accessories may be used. Do not use any other parts!

Max. weight load = 100 kg per 1000 mm  
Nominal voltage = 24 V / SELV  
Electrical load max. 7 A

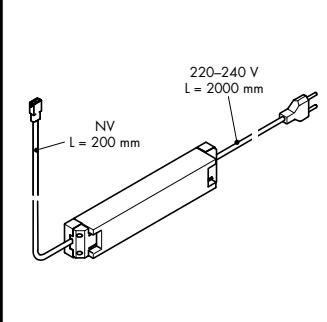
🔧 *Observe the assembly and operating instruction*

black anodised aluminium	
profile cover: natural anodised aluminium	
1200 mm	<b>349-052.06</b>
2400 mm	<b>349-053.06</b>
3200 mm	<b>349-054.06</b>
hto 250–3200 mm	<b>349-055.06</b>

Length measurements refer to the profile incl. infeed and end cap.

Incl. 1 flat end cap.

### Converter 24 V



Power supply must only be connected by authorised qualified personnel.

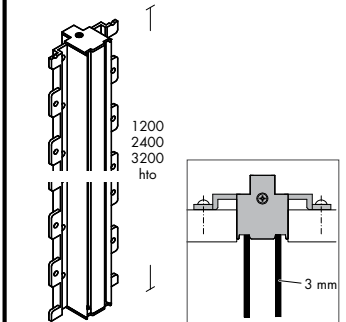
Connection 220–240 V / 50–60 Hz  
Nominal voltage = 24 V / SELV

⚠ The total power used by the connected appliances may not exceed the converter's max. capacity (60/100/150 W).

🔧 *Observe the assembly and operating instruction*

plastic	
60 W	<b>349-056.19</b>
100 W	<b>349-058.19</b>
150 W	<b>349-059.19</b>

### Xero Twin P/L profile without electrical power



Please observe max. weight loads of merchandise supports.

⚠ No alterations may be made to the Xero Twin P/L profile for safety reasons, with the exception of shortening the profile from the top. Only Xero Twin and Xero Twin P/L merchandise supports and accessories may be used. Do not use any other parts!

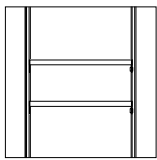
Max. weight load = 100 kg per 1000 mm

🔧 *Observe the assembly and operating instruction*

black anodised aluminium	
profile cover: natural anodised aluminium	
1200 mm	<b>349-167.06</b>
2400 mm	<b>349-168.06</b>
3200 mm	<b>349-169.06</b>
hto 250–3200 mm	<b>349-170.06</b>

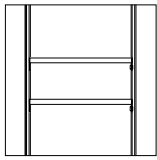
Length measurements refer to the profile incl. end cap.

Incl. 1 flat end cap.



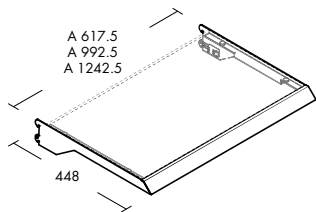
fixed axis distance

<p><b>End cap set</b> for a round profile end</p>	<p><b>Panel fixing brackets</b> for wooden panels</p>	<p><b>Single power adapter 24 V</b> for bracket 3 mm</p>	<p><b>Single power adapter 24 V</b> for various appliances</p>
<p>Is screwed to the top of the profile and to the bottom of the power supply.</p> <p>For installation of Xero Twin P/L profile in a milled wooden panel</p>	<p>Is screwed to back of wooden panel and fitted in Xero Twin P/L profile.</p> <p>⚠ Observe the assembly and operating instruction</p>	<p>To be inserted into the electrical profile. The single power adapter must only be connected by authorised qualified personnel.</p> <p>⚠ The single power adapter may only be used with the Xero Twin P/L profile!</p> <p>Nominal voltage = 24 V / SELV Nominal current max. 4 A</p> <p>📄 Drawing no. 091-254 Bracket contour</p> <p>⚠ Observe the assembly and operating instruction</p>	<p>To be inserted into the electrical profile. The single power adapter must only be connected by authorised qualified personnel.</p> <p>In addition to the connection of lighting fixtures, it is also possible to connect other types of electrical equipment whose overall power consumption does not exceed 4 A.</p> <p>⚠ The single power adapter may only be used with the Xero Twin P/L profile!</p> <p>Nominal voltage = 24 V / SELV Nominal current max. 4 A</p> <p>⚠ Observe the assembly and operating instruction</p>
<p>black</p>	<p>zinc coated</p>	<p>silver</p>	<p>silver</p>
<p><b>349-057.06</b></p>	<p><b>929-226.21</b></p>	<p><b>349-060.19</b></p>	<p><b>349-061.19</b></p>
	<p>Set of 2 pcs.</p>	<p>Incl. supply cable for electrical appliances L = 500 mm.</p>	<p>Incl. supply cable for electrical appliances L = 500 mm.</p>



fixed axis distance

## Shelf frame with LED lighting for wooden or glass shelf



To be inserted into electrical profile.

Nominal voltage = 24 V / SELV  
 - Lamp 10 W for axis 617.5 mm  
 - Lamp 15 W for axis 992.5 mm  
 - Lamp 20 W for axis 1242.5 mm  
 Light color: warm white (3100 K)

Max. weight load = 25 kg

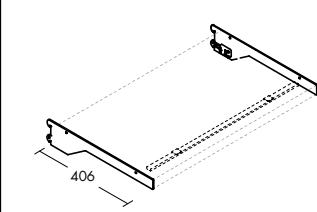
Max. display depth = 380 mm

🔗 Drawing no.  
247-840 Glass shelf 10 mm

🔗 Drawing no.  
247-868 Wooden shelf 19 mm

bright silver duro	
for axis 617.5 mm	<b>349-062.12</b>
for axis 992.5 mm	<b>349-067.12</b>
for axis 1242.5 mm	<b>349-063.12</b>
black steel duro	
for axis 617.5 mm	<b>349-062.26</b>
for axis 992.5 mm	<b>349-067.26</b>
for axis 1242.5 mm	<b>349-063.26</b>

## Brackets with single power adapter 24 V for wooden shelf



To be inserted into the electrical profile.  
 The single power adapter must only be connected by authorised qualified personnel.

Brackets in pairs, with single power adapter on the right.

Nominal voltage = 24 V / SELV  
 Nominal current max. 4 A

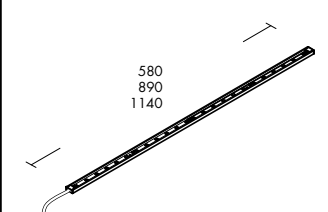
Max. weight load = 25 kg

Max. display depth = 380 mm

🔗 Drawing no.  
247-842 Wooden shelf 30 mm

bright silver duro	
	<b>349-065.12</b>
black steel duro	
	<b>349-065.26</b>

## LED lighting fixture with cable connection for wooden shelf



With adhesive fixation. Cable outlet sideways.

Nominal voltage = 24 V / SELV  
 Lamp 10/15/20 W  
 Light color: warm white (3100 K)

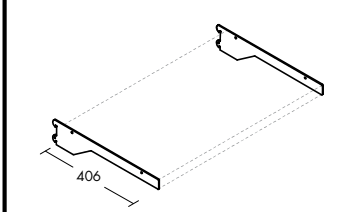
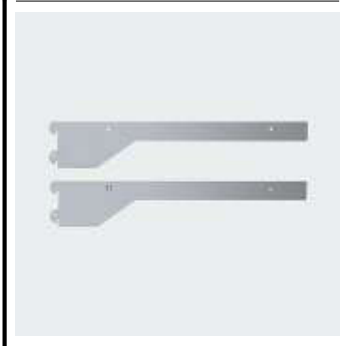
🔗 Drawing no.  
247-842 Wooden shelf 30 mm

⚠️ Observe the assembly and operating instruction

natural anodised aluminium	
580 mm (10 W)	<b>349-046.05</b>
890 mm (15 W)	<b>349-074.05</b>
1140 mm (20 W)	<b>349-075.05</b>

Including connection cable L = 420 mm.

## Brackets for wooden shelf



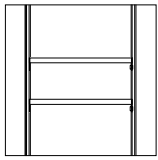
Brackets in pairs.

Max. weight load = 25 kg

Max. display depth = 380 mm

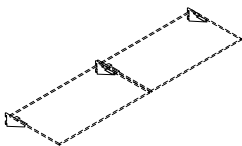
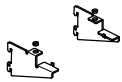
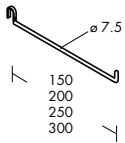
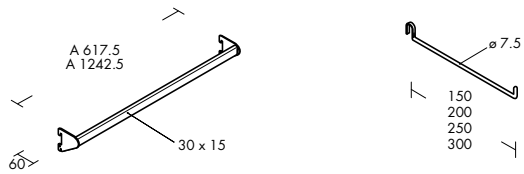
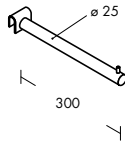
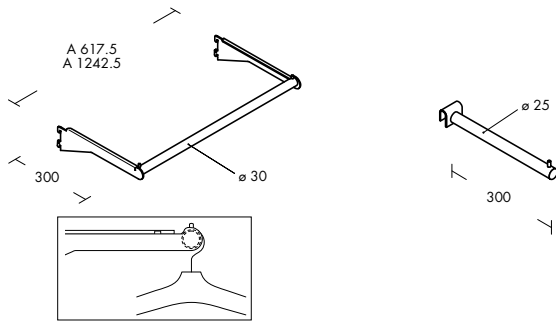
🔗 Drawing no.  
247-842 Wooden shelf 30 mm

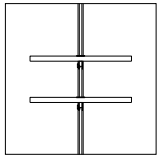
bright silver duro	
	<b>349-182.12</b>
black steel duro	
	<b>349-182.26</b>



fixed axis distance

For further merchandise supports without electricity, please see **Stabilo** range





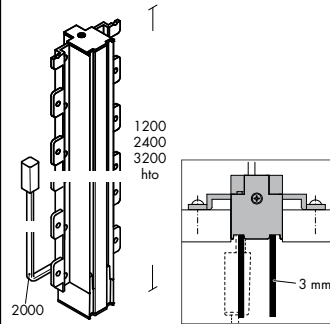
cross-axis

## Dimensions

## Characteristics

## Order number

### Xero Twin P/L profile electrified, without converter



Electrical profile must only be connected by authorised qualified personnel.

Please observe max. weight loads of merchandise supports.

⚠ No alterations may be made to the Xero Twin P/L profile for safety reasons, with the exception of shortening the profile from the top. Only Xero Twin and Xero Twin P/L merchandise supports and accessories may be used. Do not use any other parts!

Max. weight load = 100 kg per 1000 mm  
Nominal voltage = 24 V / SELV  
Electrical load max. 7 A

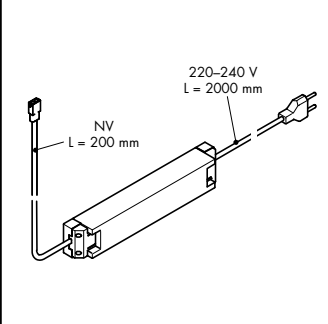
🔧 *Observe the assembly and operating instruction*

black anodised aluminium	
profile cover: natural anodised aluminium	
1200 mm	<b>349-052.06</b>
2400 mm	<b>349-053.06</b>
3200 mm	<b>349-054.06</b>
hto 250–3200 mm	<b>349-055.06</b>

Length measurements refer to the profile incl. infeed and end cap.

Incl. 1 flat end cap.

### Converter 24 V



Converter must only be connected by authorised qualified personnel.

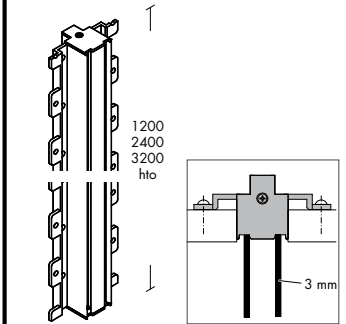
Connection 120–240 V / 50–60 Hz  
Nominal voltage = 24 V / SELV

⚠ The total power used by the connected appliances may not exceed the converter's max. capacity (60/100/150 W).

🔧 *Observe the assembly and operating instruction*

plastic	
60 W	<b>349-056.19</b>
100 W	<b>349-058.19</b>
150 W	<b>349-059.19</b>

### Xero Twin P/L profile without electrical power



Please observe max. weight loads of merchandise supports.

⚠ No alterations may be made to the Xero Twin P/L profile for safety reasons, with the exception of shortening the profile from the top. Only Xero Twin and Xero Twin P/L merchandise supports and accessories may be used. Do not use any other parts!

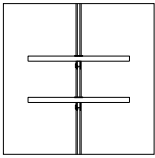
Max. weight load = 100 kg per 1000 mm

🔧 *Observe the assembly and operating instruction*

black anodised aluminium	
profile cover: natural anodised aluminium	
1200 mm	<b>349-167.06</b>
2400 mm	<b>349-168.06</b>
3200 mm	<b>349-169.06</b>
hto 250–3200 mm	<b>349-170.06</b>

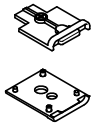
Length measurements refer to the profile incl. end cap.

Incl. 1 flat end cap.



cross-axis

**End cap set**  
for a round profile end



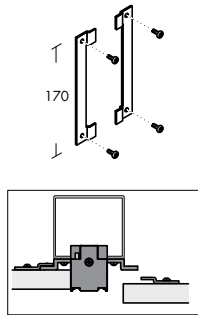
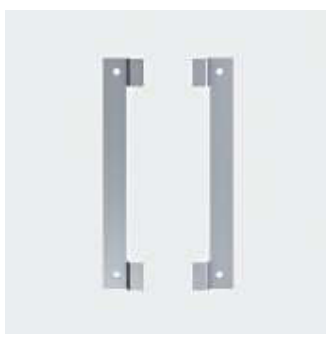
Is screwed to the top of the profile and to the bottom of the power supply.

For installation of Xero Twin P/L profile in a milled wooden panel.

black

**349-057.06**

**Panel fixing brackets**  
for wooden panels



Is screwed to back of wooden panel and fitted in Xero Twin P/L profile.

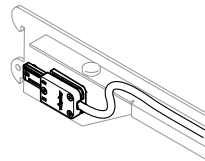
ⓘ *Observe the assembly and operating instruction*

zinc coated

**929-226.21**

Set of 2 pcs.

**Single power adapter 24 V**  
for bracket 3 mm



To be inserted into the electrical profile. The single power adapter must only be connected by authorised qualified personnel.

⚠ The single power adapter may only be used with the Xero Twin P/L profile!

Nominal voltage = 24 V / SELV  
Nominal current max. 4 A

📄 Drawing no.  
091-254 Bracket contour

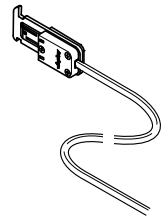
ⓘ *Observe the assembly and operating instruction*

silver

**349-060.19**

Incl. supply cable for electrical appliances L = 500 mm.

**Single power adapter 24 V**  
for various appliances



To be inserted into the electrical profile. The single power adapter must only be connected by authorised qualified personnel.

In addition to the connection of lighting fixtures, it is also possible to connect other types of electrical equipment whose overall power consumption does not exceed 4 A.

⚠ The single power adapter may only be used with the Xero Twin P/L profile!

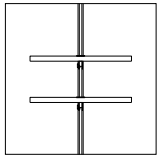
Nominal voltage = 24 V / SELV  
Nominal current max. 4 A

ⓘ *Observe the assembly and operating instruction*

silver

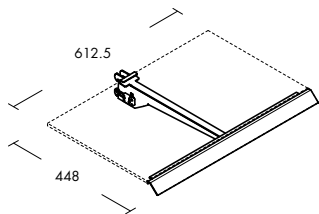
**349-061.19**

Incl. supply cable for electrical appliances L = 500 mm.



cross-axis

**Support bracket with LED lighting**  
for glass shelf



To be inserted into electrical profile.

Nominal voltage = 24 V / SELV  
Lamp 10 W  
Light color: warm white (3100 K)

Max. weight load = 25 kg

Max. display depth = 380 mm

📄 Drawing no.  
247-840 Glass shelf 10 mm

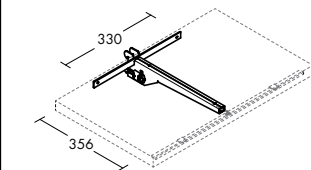
bright silver duro

**349-064.12**

black steel duro

**349-064.26**

**Support bracket with single power adapter 24 V**  
for wooden shelf



To be inserted into the electrical profile.  
The single power adapter must only be connected by authorised qualified personnel.

Nominal voltage = 24 V / SELV  
Nominal current max. 4 A

Max. weight load = 25 kg

Max. display depth = 380 mm

📄 Drawing no.  
247-841 Wooden shelf 25–30 mm

bright silver duro

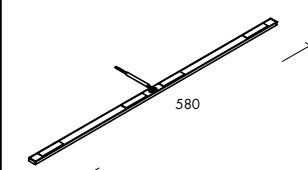
**349-078.12**

black steel duro

**349-078.26**

LED lighting fixture 349-090.05 must be ordered separately.

**LED lighting fixture with cable connection**  
for wooden shelf



With adhesive fixation. Cable outlet central.

Nominal voltage = 24 V / SELV  
Lamp 10/20 W  
Light color: warm white (3100 K)

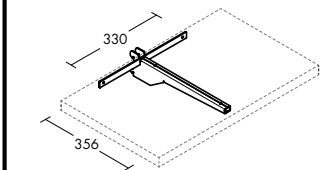
⚠️ Observe the assembly and operating instruction

natural anodised aluminium

**349-090.05**

Including connection cable L = 420 mm.

**Support bracket**  
for wooden shelf



Max. weight load = 25 kg

Max. display depth = 380 mm

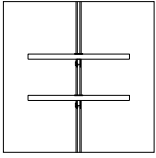
📄 Drawing no.  
252-820 Wooden shelf 25–30 mm

bright silver duro

**349-183.12**

black steel duro

**349-183.26**



Cross-axis

For further cross-axis merchandise supports without electricity, please see Xero Twin range

