
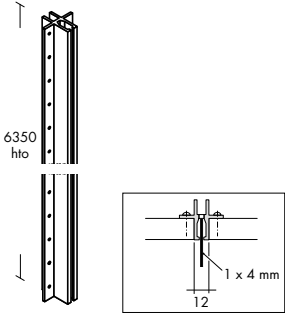

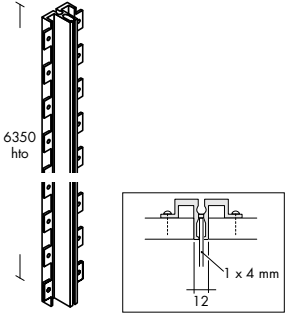

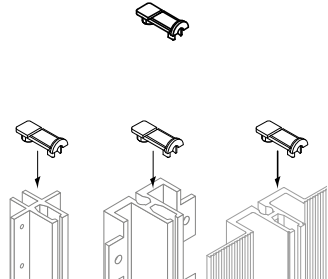
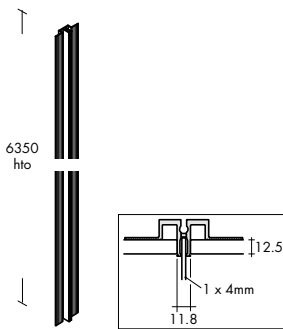
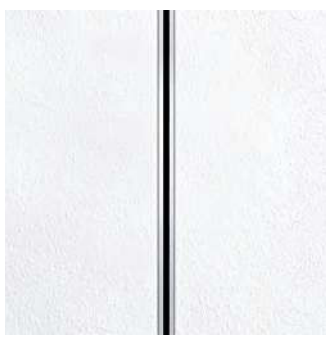


	<b>Xero 4 T slotted rail</b> for wooden panel	<b>Xero 4 profile</b> for wooden panel	<b>End cap</b> for a round profile end
<b>Dimensions</b>	 	 	 
<b>Characteristics</b>	<p>Slot width for 1 bracket.</p> <p>Max. weight load = 100 kg per 1000 mm</p> <p>⚠ Observe the assembly and operating instruction</p>	<p>Slot width for 1 bracket.</p> <p>For simple suspension or installation of panels.</p> <p>Max. weight load = 100 kg per 1000 mm</p> <p>⚠ Observe the assembly and operating instruction</p>	<p>For top or bottom.</p>
<b>Order number</b>	<p>natural anodised aluminium</p> <p>6350 mm ⊙ <b>931-809.05</b></p> <p>hto 250–6350 mm ⊙ <b>931-822.05</b></p>	<p>natural anodised aluminium</p> <p>6350 mm ⊙ <b>931-719.05</b></p> <p>hto 250–6350 mm ⊙ <b>931-823.05</b></p>	<p>grey ● <b>981-479.05</b></p>



## Xero 4 G profile for plasterboard



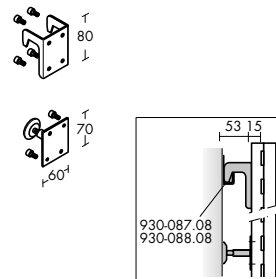
Slot width for 1 bracket.

Max. weight load = 100 kg per 1000 mm

⚠ Observe the assembly and operating instruction

natural anodised aluminium	
6350 mm	⊙ <b>931-882.05</b>
hto 250–6350 mm	⊙ <b>931-883.05</b>

## Fixing set for wall rail

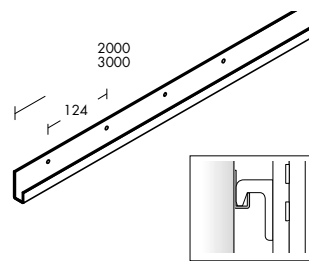


⚠ Cannot be screwed to Xero 4 T, Xero 4 G and Xero 8 T profiles.

Max. weight load = 80 kg

raw chromed	● <b>929-225.65</b>
-------------	---------------------

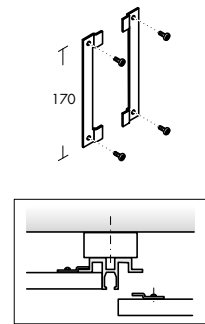
## Wall rail



To be screwed to the wall.

basic dark	
2000 mm	● <b>930-087.08</b>
3000 mm	● <b>930-088.08</b>

## Panel fixing brackets for wooden panels

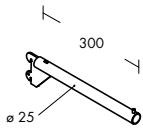


Is screwed to back of wooden panel and fitted in Xero 4 or Xero 8 or profile.

zinc coated	● <b>929-226.21</b>
-------------	---------------------

Set of 2 pcs.

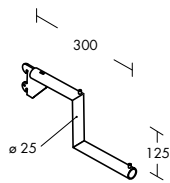
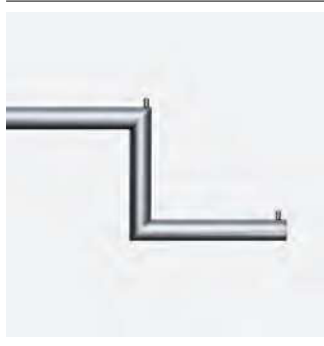
Front arm, straight Ø 25 mm



Max. weight load = 25 kg

chrome	● 397-637.01
silk	● 397-637.30

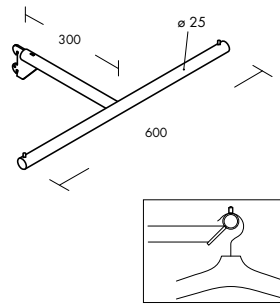
Front arm, stepped Ø 25 mm



Max. weight load = 25 kg

chrome	● 397-641.01
silk	● 397-641.30

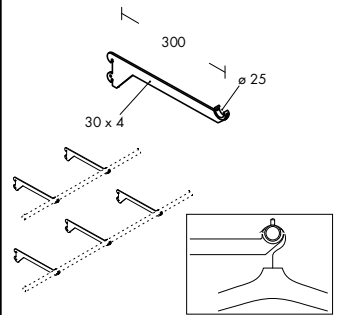
Hanging rail Ø 25 mm, 600 mm  
T arm



Max. weight load = 20 kg

chrome	● 340-244.01
silk	● 340-244.30

Bracket 30 x 4 mm  
for hanging rail Ø 25 mm



Coat-hangers can slide along the entire length of the hanging rail.

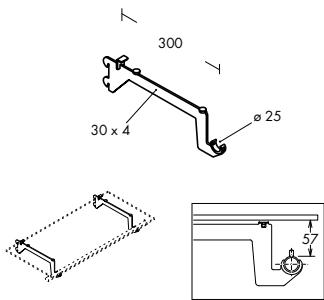
Max. weight load = 20 kg per bracket

chrome	● 340-202.01
silk	● 340-202.30

At least 2 brackets are required per hanging rail.



**Bracket 30 x 4 mm**  
for hanging rail Ø 25 mm and wooden  
or glass shelf



Coat-hangers can slide along the entire length of the hanging rail.

Max. weight load = 20 kg per bracket

Max. display depth = 380 mm

📄 Drawing no.  
286-620 Glass shelf 8 mm

📄 Drawing no.  
980-299 Wooden shelf

chrome

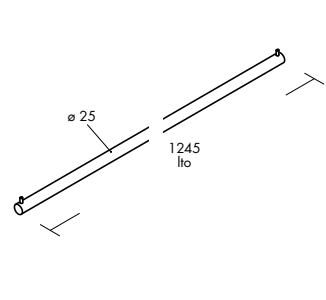
● **340-207.01**

silk

● **340-207.30**

At least 2 brackets are required per hanging rail and shelf.

**Hanging rail Ø 25 mm**



To be inserted into brackets for hanging rail.

chrome

1245 mm ● **906-332.01**

lto 620-2445 mm ○ **906-333.01**

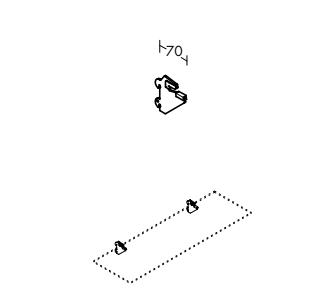
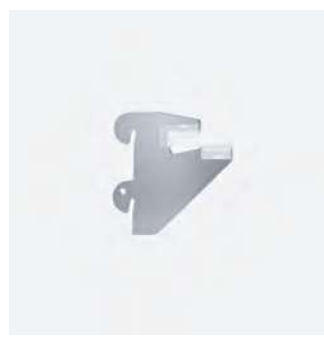
silk

1245 mm ● **906-332.30**

lto 620-2445 mm ○ **906-333.30**

620-1245 mm => 2 brackets  
1246-1870 mm => 3 brackets  
1871-2445 mm => 4 brackets

**Clamping bracket**  
for glass shelf



Max. weight load = 15 kg per bracket

Max. display depth = 380 mm

📄 Drawing no.  
286-620 Glass shelf 8 mm

chrome

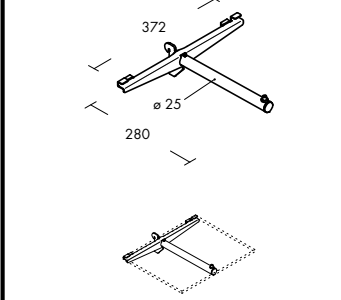
● **397-618.01**

silk

● **397-618.30**

At least 2 brackets are required per shelf.

**Support bracket Ø 25 mm**  
for wooden or glass shelf



Max. weight load = 20 kg

Max. display depth = 380 mm

📄 Drawing no.  
978-388 Glass shelf 8 mm

📄 Drawing no.  
375-895 Wooden shelf 19 mm

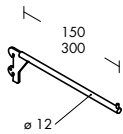
chrome

● **340-245.01**

silk

● **340-245.30**

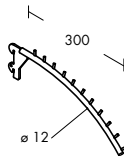
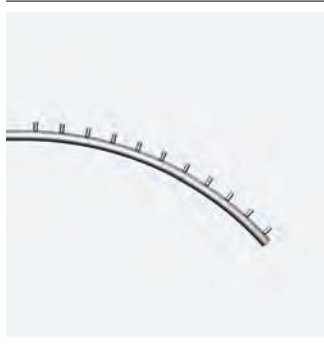
Front arm, straight Ø 12 mm



Max. weight load = 10 kg

chrome	
150 mm	● <b>340-213.01</b>
300 mm	● <b>340-214.01</b>
silk	
150 mm	● <b>340-213.30</b>
300 mm	● <b>340-214.30</b>

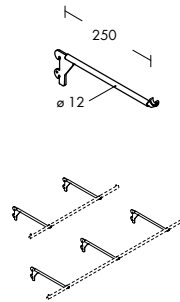
Front arm, curved Ø 12 mm



With 11 pins.  
Max. weight load = 10 kg

chrome	● <b>340-215.01</b>
silk	● <b>340-215.30</b>

Bracket Ø 12 mm  
for hanging rail Ø 15 mm

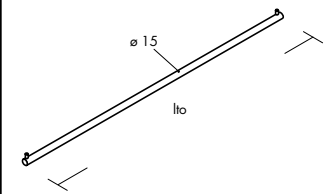


Coat-hangers can slide along the entire length of the hanging rail.  
Max. weight load = 10 kg per bracket

chrome	● <b>340-217.01</b>
silk	● <b>340-217.30</b>

At least 2 brackets are required per hanging rail.

Hanging rail Ø 15 mm





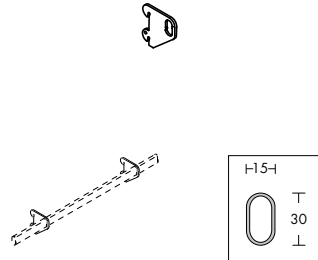
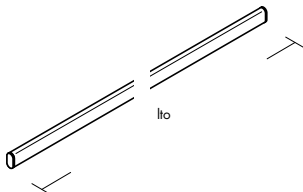
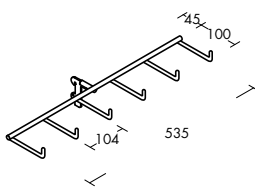
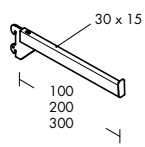


To be inserted into brackets for hanging rail.

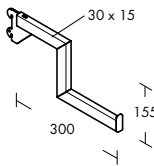
chrome	
lto 520–2445 mm	⊙ <b>906-329.01</b>
silk	
lto 520–2445 mm	⊙ <b>906-329.30</b>

520–795 mm => 2 brackets  
796–1195 mm => 3 brackets  
1196–1595 mm => 4 brackets  
1596–2445 mm => 5 brackets



<b>Bracket</b> for hanging rail 30 x 15 mm, oval	<b>Hanging rail 30 x 15 mm</b> oval tube	<b>Hook rail</b> for ties, belts etc.	<b>Front arm, straight 30 x 15 mm</b>
			
			
<p>Max. weight load = 20 kg per bracket</p>	<p>To be inserted into brackets for hanging rail 30 x 15 mm, oval.</p> <p>For merchandise supports such as front arms and hooks for hanging on oval bars, see Stabilo range.</p>	<p>With 6 hooks Ø 7.5 mm.</p> <p>Max. weight load = 10 kg</p>	<p>Max. weight load = 20 kg</p>
<p>chrome ● <b>340-347.01</b></p> <p>silk ● <b>340-347.30</b></p>	<p>chrome lto 620–2445 mm ○ <b>306-400.01</b></p> <p>silk lto 620–2445 mm ○ <b>306-400.30</b></p>	<p>silk ● <b>340-060.30</b></p>	<p>chrome 100 mm ● <b>371-543.01</b></p> <p>200 mm ○ <b>371-545.01</b></p> <p>300 mm ○ <b>371-547.01</b></p>
<p>At least 2 brackets are required per hanging rail.</p>	<p>620–1245 mm =&gt; 2 brackets</p> <p>1246–1870 mm =&gt; 3 brackets</p> <p>1871–2445 mm =&gt; 4 brackets</p>		<p>silk 100 mm ○ <b>371-543.30</b></p> <p>200 mm ○ <b>371-545.30</b></p> <p>300 mm ● <b>371-547.30</b></p>

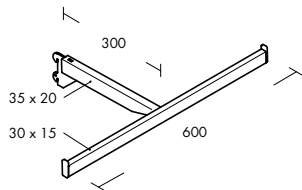
**Front arm, stepped 30 x 15 mm**



Max. weight load = 20 kg

chrome	<input type="radio"/>	<b>371-549.01</b>
silk	<input checked="" type="radio"/>	<b>371-549.30</b>

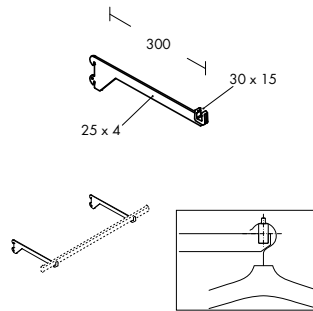
**Hanging rail 30 x 15 mm, 600 mm**  
T Arm



Max. weight load = 20 kg

chrome	<input type="radio"/>	<b>371-541.01</b>
silk	<input type="radio"/>	<b>371-541.30</b>

**Bracket 25 x 4 mm**  
for hanging rail 30 x 15 mm



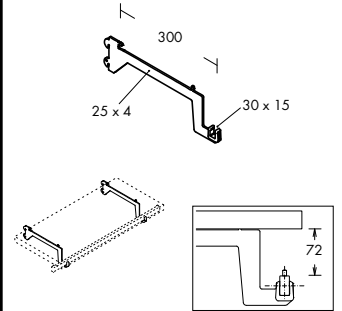
Coat-hangers can slide along the entire length of the hanging rail.

Max. weight load = 20 kg per bracket

chrome	<input type="radio"/>	<b>342-822.01</b>
silk	<input checked="" type="radio"/>	<b>342-822.30</b>

At least 2 brackets are required per hanging rail.

**Bracket 25 x 4 mm**  
for hanging rail 30 x 15 mm and wooden shelf



Coat-hangers can slide along the entire length of the hanging rail.

Max. weight load = 20 kg per bracket

Max. display depth = 380 mm

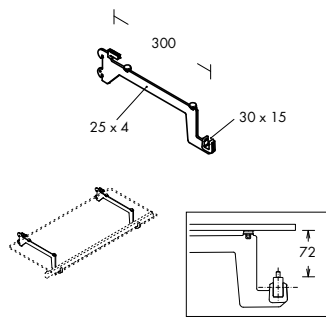
📄 Drawing no. 980-299 Wooden shelf

chrome	<input type="radio"/>	<b>342-909.01</b>
silk	<input type="radio"/>	<b>342-909.30</b>

At least 2 brackets are required per hanging rail and shelf.



**Bracket 25 x 4 mm**  
for hanging rail 30 x 15 mm and glass shelf



Coat-hangers can slide along the entire length of the hanging rail.

Max. weight load = 20 kg per bracket

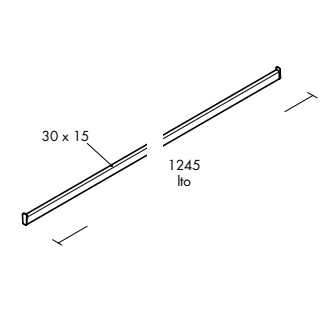
Max. display depth = 380 mm

📄 Drawing no.  
286-620 Glass shelf 8 mm

chrome	<input type="radio"/>	<b>342-820.01</b>
silk	<input type="radio"/>	<b>342-820.30</b>

At least 2 brackets are required per hanging rail and shelf.

**Hanging rail 30 x 15 mm**  
rectangular tube

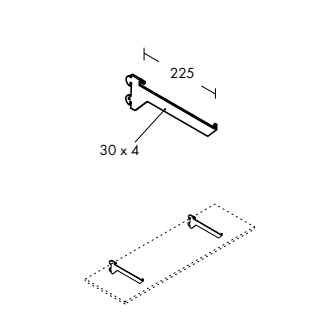


To be inserted into brackets for hanging rail.

chrome	<input type="radio"/>	<b>315-756.01</b>
1245 mm	<input type="radio"/>	<b>315-758.01</b>
to 620–2445 mm	<input type="radio"/>	<b>315-758.30</b>
silk	<input type="radio"/>	<b>315-756.30</b>
1245 mm	<input type="radio"/>	<b>315-758.30</b>
to 620–2445 mm	<input type="radio"/>	<b>315-758.30</b>

620–1245 mm => 2 brackets  
1246–1870 mm => 3 brackets  
1871–2445 mm => 4 brackets

**Bracket 30 x 4 mm**  
for wooden shelf



Max. weight load = 20 kg per bracket

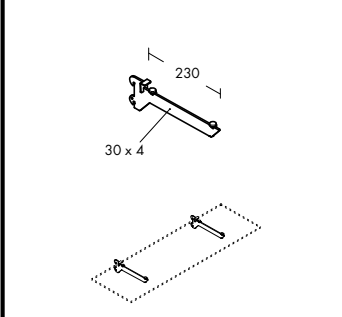
Max. display depth = 380 mm

📄 Drawing no.  
286-619 Wooden shelf 19 mm

chrome	<input checked="" type="radio"/>	<b>340-211.01</b>
silk	<input checked="" type="radio"/>	<b>340-211.30</b>

At least 2 brackets are required per shelf.

**Bracket 30 x 4 mm**  
for glass shelf



Max. weight load = 20 kg per bracket

Max. display depth = 380 mm

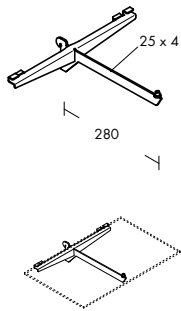
📄 Drawing no.  
286-620 Glass shelf 8 mm

chrome	<input type="radio"/>	<b>397-643.01</b>
silk	<input checked="" type="radio"/>	<b>397-643.30</b>

At least 2 brackets are required per shelf.



**Support bracket 25 x 4 mm**  
for wooden- or glass shelf



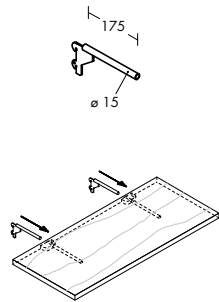
Max. weight load = 20 kg

Max. display depth = 380 mm

- 🔗 Drawing no. 978-388 Glass shelf 8 mm
- 🔗 Drawing no. 375-895 Wooden shelf 19 mm

chrome	○	<b>342-826.01</b>
silk	●	<b>342-826.30</b>

**Bracket Ø 15 mm**  
for wooden shelf



Max. weight load = 15 kg per bracket

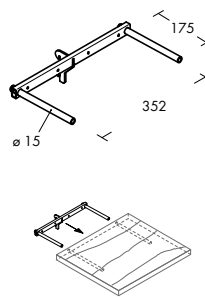
Max. display depth = 380 mm

- 🔗 Drawing no. 247-734 Wooden shelf 26 mm
- ⚠️ Observe the assembly and operating instruction

raw silk	●	<b>342-830.31</b>
----------	---	-------------------

At least 2 brackets are required per shelf.

**Single bracket**  
for wooden shelf



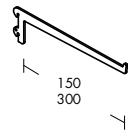
Max. weight load = 15 kg

Max. display depth = 380 mm

- 🔗 Drawing no. 247-138 Wooden shelf 26 mm
- ⚠️ Observe the assembly and operating instruction

raw silk	○	<b>362-079.31</b>
----------	---	-------------------

**Front arm, straight**



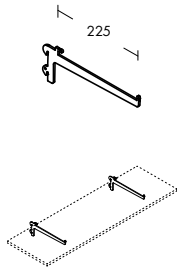
Max. weight load = 10 kg

chrome	●	<b>371-584.01</b>
150 mm	○	<b>371-585.01</b>
300 mm	○	<b>371-585.01</b>
silk	●	<b>371-584.30</b>
150 mm	○	<b>371-585.30</b>
300 mm	○	<b>371-585.30</b>



<b>Front arm, sloping</b>	<b>Hanging rail 20 x 10 mm, 390 mm</b> T Arm	<b>Bracket</b> for hanging rail 20 x 10 mm	<b>Hanging rail 20 x 10 mm</b> rectangular tube																														
<p>Max. weight load = 10 kg</p>	<p>Max. weight load = 10 kg</p>	<p>Coat-hangers can slide along the entire length of the hanging rail. Max. weight load = 10 kg per bracket</p>	<p>To be inserted into brackets for hanging rail.</p>																														
<table border="0"> <tr> <td>chrome</td> <td>●</td> <td><b>371-582.01</b></td> </tr> <tr> <td>silk</td> <td>○</td> <td><b>371-582.30</b></td> </tr> </table>	chrome	●	<b>371-582.01</b>	silk	○	<b>371-582.30</b>	<table border="0"> <tr> <td>chrome</td> <td>○</td> <td><b>371-578.01</b></td> </tr> <tr> <td>silk</td> <td>●</td> <td><b>371-578.30</b></td> </tr> </table>	chrome	○	<b>371-578.01</b>	silk	●	<b>371-578.30</b>	<table border="0"> <tr> <td>chrome</td> <td>●</td> <td><b>342-847.01</b></td> </tr> <tr> <td>silk</td> <td>●</td> <td><b>342-847.30</b></td> </tr> </table>	chrome	●	<b>342-847.01</b>	silk	●	<b>342-847.30</b>	<table border="0"> <tr> <td>chrome</td> <td>○</td> <td><b>315-765.01</b></td> </tr> <tr> <td>lto 620-2445 mm</td> <td>⊙</td> <td><b>315-767.01</b></td> </tr> <tr> <td>silk</td> <td>○</td> <td><b>315-765.30</b></td> </tr> <tr> <td>lto 620-2445 mm</td> <td>⊙</td> <td><b>315-767.30</b></td> </tr> </table>	chrome	○	<b>315-765.01</b>	lto 620-2445 mm	⊙	<b>315-767.01</b>	silk	○	<b>315-765.30</b>	lto 620-2445 mm	⊙	<b>315-767.30</b>
chrome	●	<b>371-582.01</b>																															
silk	○	<b>371-582.30</b>																															
chrome	○	<b>371-578.01</b>																															
silk	●	<b>371-578.30</b>																															
chrome	●	<b>342-847.01</b>																															
silk	●	<b>342-847.30</b>																															
chrome	○	<b>315-765.01</b>																															
lto 620-2445 mm	⊙	<b>315-767.01</b>																															
silk	○	<b>315-765.30</b>																															
lto 620-2445 mm	⊙	<b>315-767.30</b>																															
		<p>At least 2 brackets are required per hanging rail.</p>	<p>620-1245 mm =&gt; 2 brackets 1246-1870 mm =&gt; 3 brackets 1871-2445 mm =&gt; 4 brackets</p>																														

**Bracket**  
for wooden shelf



Max. weight load = 10 kg per bracket

Max. display depth = 380 mm

📄 Drawing no.  
286-619 Wooden shelf 19 mm

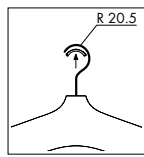
chrome	○	<b>342-851.01</b>
silk	●	<b>342-851.30</b>

At least 2 brackets are required per shelf.

**Sliss**



100 x



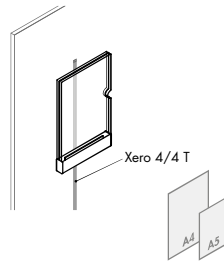
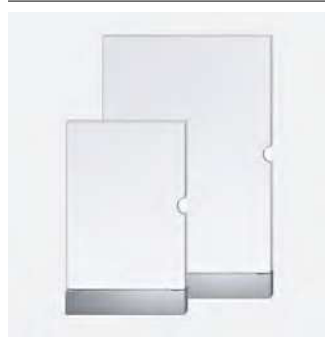
Prevents scratches on hanging rails and front arms in silk or stainless steel.

To clip into coat hanger hook (Ø 3.4–3.8 mm).

transparent	●	<b>929-449.02</b>
-------------	---	-------------------

Set of 100 pcs.

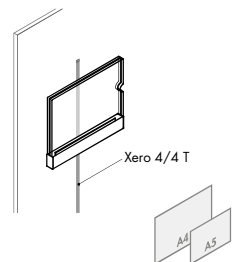
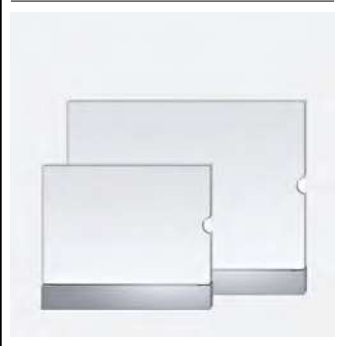
**Sign holder**  
for Xero 4 / Xero Struc 4



For vertical presentation.

chrome		
DIN A 5	○	<b>308-827.01</b>
DIN A 4	○	<b>308-858.01</b>
bright silver mistral		
DIN A 5	○	<b>308-827.66</b>
DIN A 4	○	<b>308-858.66</b>

**Sign holder**  
for Xero 4 / Xero Struc 4

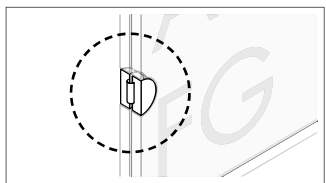


For horizontal presentation.

chrome		
DIN A 5	○	<b>308-838.01</b>
DIN A 4	○	<b>308-850.01</b>
bright silver mistral		
DIN A 5	○	<b>308-838.66</b>
DIN A 4	○	<b>308-850.66</b>



## Universal magnetic holder



For positioning and securing the sign.

silver

○ **981-939.05**