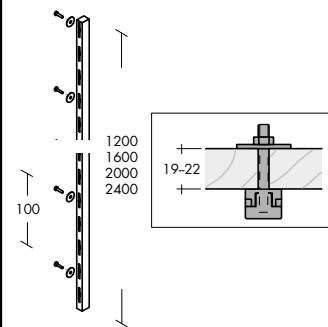


Beam profile
for wooden panel, attachment from the rear



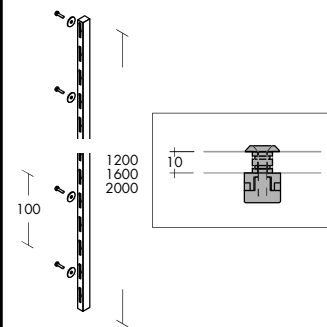
Double-sided assembly possible; a front mounting profile is also required

Beam profiles can be cut to length by the customer. CAUTION: always shorten profile from the bottom.

Max. weight load = 75 kg per 1000 mm

⚠ Observe the assembly and operating instruction

Beam profile
for glass panel, attachment from the rear



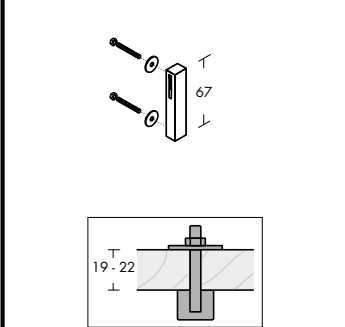
Double-sided assembly possible; a front mounting profile is also required

Beam profiles can be cut to length by the customer. CAUTION: always shorten profile from the bottom.

Max. weight load = 75 kg per 1000 mm

⚠ Observe the assembly and operating instruction

Beam profile 67
for wooden panel, attachment from the rear



To be screwed from the back onto wooden panel (19–22 mm).

Max. weight load = 20 kg

⚠ Observe the assembly and operating instruction

Dimensions

Characteristics

Order number

natural anodised aluminium	
1200 mm	⊙ 930-228.05
1600 mm	⊙ 930-229.05
2000 mm	⊙ 930-230.05
2400 mm	⊙ 930-231.05
black anodised aluminium	
1200 mm	⊙ 930-228.06
1600 mm	⊙ 930-229.06
2000 mm	⊙ 930-230.06
2400 mm	⊙ 930-231.06

Incl. fixing set.

natural anodised aluminium	
1200 mm	⊙ 930-235.05
1600 mm	⊙ 930-236.05
2000 mm	⊙ 930-237.05
black anodised aluminium	
1200 mm	⊙ 930-235.06
1600 mm	⊙ 930-236.06
2000 mm	⊙ 930-237.06

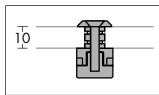
Incl. fixing set.

chrome	● 398-211.01
silk	○ 398-211.30

Incl. fixing set.



Beam profile 67
for glass panel, attachment from the rear



To be screwed from the back onto glass panel (10 mm).

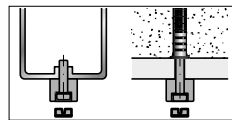
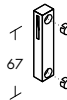
Max. weight load = 20 kg

⚠ Observe the assembly and operating instruction

chrome	○	398-212.01
silk	○	398-212.30

Incl. fixing set.

Beam profile 67
for wooden panel or walls, attachment from the front



Front screw connection.

Max. weight load = 20 kg

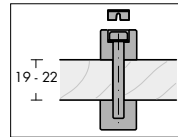
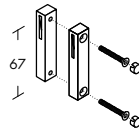
⚠ Observe the assembly and operating instruction

chrome	●	300-528.01
silk	●	300-528.30

Incl. cover cap.

Fixing set must be ordered separately.

Beam profile 67
for wooden panel, set for both sides



To be screwed onto wooden panel (19–22 mm).

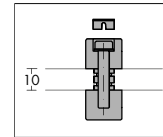
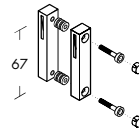
Max. weight load = 20 kg

⚠ Observe the assembly and operating instruction

chrome	○	929-703.01
silk	○	929-703.30

Incl. fixing set and cover caps.

Beam profile 67
for glass panel, set for both sides



To be screwed onto glass panel (10 mm).

Max. weight load = 20 kg

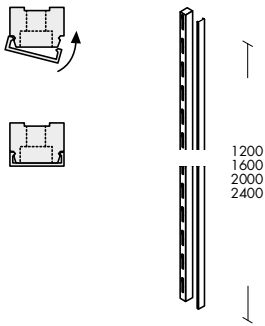
⚠ Observe the assembly and operating instruction

chrome	○	929-702.01
silk	○	929-702.30

Incl. fixing set and cover caps.

Beam profile

for wooden and glass panels or walls, attachment from the front



Double-sided assembly possible; a rear mounting profile is also required

Beam profiles can be cut to length by the customer. CAUTION: always shorten profile from the bottom.

Max. weight load = 75 kg per 1000 mm

ⓘ Observe the assembly and operating instruction

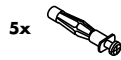
natural anodised aluminium	
1200 mm	⊖ 930-242.05
1600 mm	● 930-243.05
2000 mm	● 930-244.05
2400 mm	● 930-245.05
black anodised aluminium	
1200 mm	⊖ 930-242.06
1600 mm	⊖ 930-243.06
2000 mm	⊖ 930-244.06
2400 mm	⊖ 930-245.06

Incl. profile cover.

Fixing set must be ordered separately.

Fixing set

for wooden panels, attachment from the front



For Beam profile.

Max. weight load = 15 kg per fixing point

ⓘ Observe the assembly and operating instruction

zinc coated	● 929-178.21
-------------	--------------

Set of 5 pcs.

4 screws are required per 400 mm of profile.

Fixing set

for 10 mm glass panel, for both sides



Is required for double-sided use of Beam profiles on glass.

Max. weight load = 15 kg per fixing point

ⓘ Observe the assembly and operating instruction

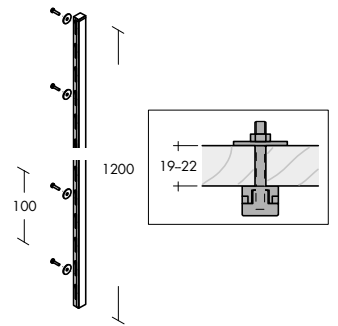
zinc coated	● 929-740.05
-------------	--------------

Set of 5 pcs.

4 screws are required per 400 mm of Beam profile.

Beam profile for gondolas

for wooden panel, attachment from the rear



Double-sided assembly possible; a front mounting profile is also required

Beam profiles can be cut to length by the customer. CAUTION: always shorten profile from the bottom.

Max. weight load = 75 kg per 1000 mm

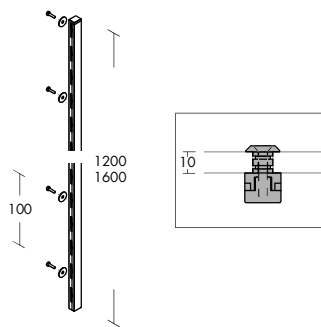
ⓘ Observe the assembly and operating instruction

natural anodised aluminium	
1200 mm	⊖ 930-373.05
black anodised aluminium	
1200 mm	⊖ 930-373.06

Incl. fixing set.



Beam profile for gondolas for glass panel, attachment from the rear



Double-sided assembly possible; a front mounting profile is also required

Beam profiles can be cut to length by the customer. CAUTION: always shorten profile from the bottom.

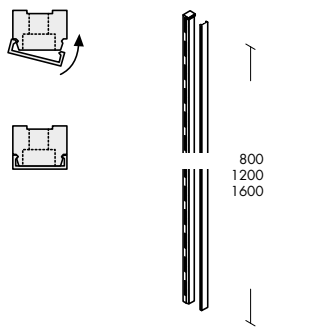
Max. weight load = 75 kg per 1000 mm

⚠ Observe the assembly and operating instruction

natural anodised aluminium	
1200 mm	● 930-379.05
1600 mm	⊙ 930-380.05
black anodised aluminium	
1200 mm	⊙ 930-379.06
1600 mm	⊙ 930-380.06

Incl. fixing set.

Beam profile for gondolas for attachment from the front



Double-sided assembly possible; a rear mounting profile is also required

Beam profiles can be cut to length by the customer. CAUTION: always shorten profile from the bottom.

Max. weight load = 75 kg per 1000 mm

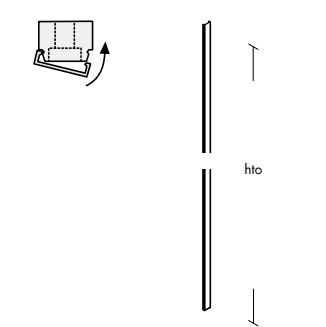
⚠ Observe the assembly and operating instruction

natural anodised aluminium	
800 mm	⊙ 930-375.05
1200 mm	● 930-376.05
1600 mm	⊙ 930-377.05
black anodised aluminium	
800 mm	⊙ 930-375.06
1200 mm	⊙ 930-376.06
1600 mm	⊙ 930-377.06

Incl. profile cover.

Fixing set must be ordered separately.

Profile cover

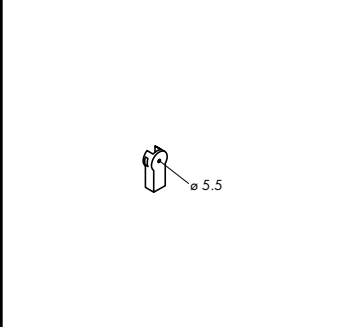


Is clipped-on the profile.

natural anodised aluminium	
hto 800–4000 mm	⊙ 930-225.05
black anodised aluminium	
hto 800–4000 mm	⊙ 930-225.06

For repeat orders.

Universal support bracket

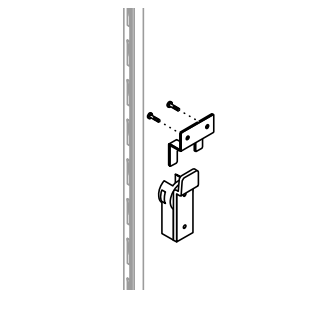


For customised merchandise supports.

Max. weight load = 20 kg per bracket

chrome	● 929-482.01
silk	
	● 929-482.30

Fixing set
for Beam profiles



To be screwed to the back of wooden panels.

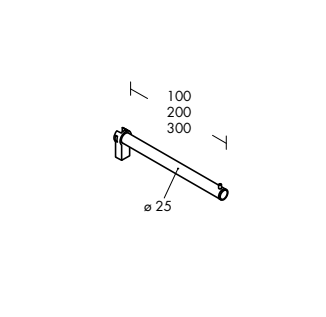
Max. weight load = 20 kg

raw chromed

● **929-939.41**

Consisting of adapter and suspension lug.

Front arm, straight Ø 25 mm



Max. weight load = 20 kg

chrome

100 mm ○ **984-709.01**

200 mm ○ **984-710.01**

300 mm ● **984-711.01**

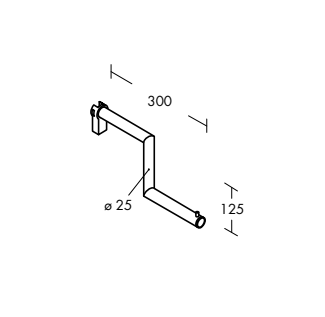
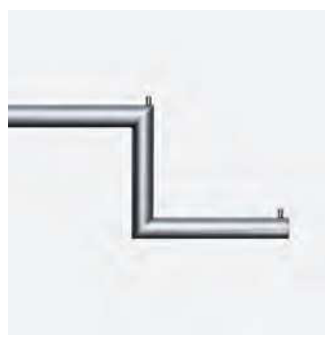
silk

100 mm ○ **984-709.30**

200 mm ● **984-710.30**

300 mm ● **984-711.30**

Front arm, stepped Ø 25 mm



Max. weight load = 20 kg

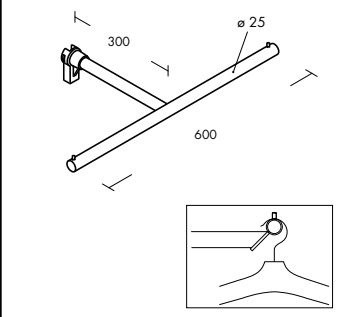
chrome

○ **984-728.01**

silk

● **984-728.30**

Hanging rail Ø 25 mm, 600 mm
T arm



Max. weight load = 20 kg

chrome

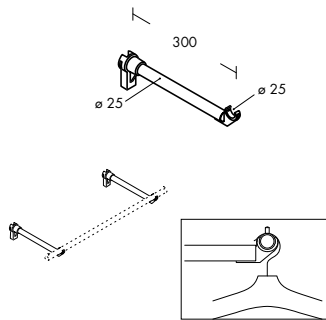
● **987-859.01**

silk

● **987-859.30**



Bracket Ø 25 mm
for hanging rail Ø 25 mm



Coat-hangers can slide along the entire length of the hanging rail.

Max. weight load = 20 kg per bracket

chrome

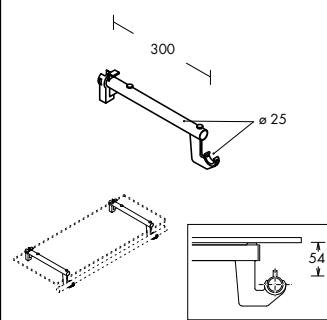
● **987-870.01**

silk

● **987-870.30**

At least 2 brackets are required per hanging rail.

Bracket Ø 25 mm
for hanging rail Ø 25 mm and wooden or glass shelf



Coat-hangers can slide along the entire length of the hanging rail.

Max. weight load = 20 kg per bracket

Max. display depth = 380 mm

📄 Drawing no.
286-620 Glass shelf 8 mm

📄 Drawing no.
980-299 Wooden shelf

chrome

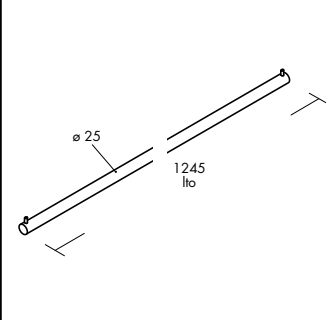
● **987-895.01**

silk

● **987-895.30**

At least 2 brackets are required per hanging rail and shelf.

Hanging rail Ø 25 mm



To be inserted into brackets for hanging rail.

chrome

1245 mm ● **906-332.01**

lto 620–2445 mm ☉ **906-333.01**

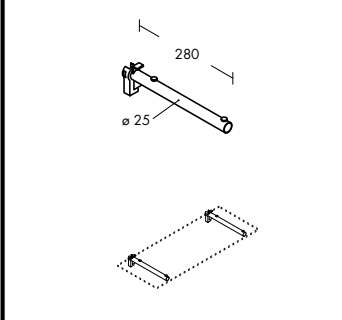
silk

1245 mm ● **906-332.30**

lto 620–2445 mm ☉ **906-333.30**

620–1245 mm => 2 brackets
1246–1870 mm => 3 brackets
1871–2445 mm => 4 brackets

Bracket Ø 25 mm
for wooden or glass shelf



Max. weight load = 20 kg per bracket

Max. display depth = 380 mm

📄 Drawing no.
286-620 Glass shelf 8 mm

📄 Drawing no.
980-299 Wooden shelf

chrome

● **987-921.01**

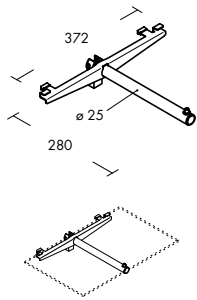
silk

● **987-921.30**

At least 2 brackets are required per shelf.

Beam

Support bracket Ø 25 mm
for wooden or glass shelf



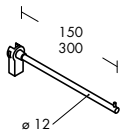
Max. weight load = 20 kg

Max. display depth = 380 mm

- Drawing no. 978-388 Glass shelf 8 mm
- Drawing no. 375-895 Wooden shelf 19 mm

chrome	●	987-913.01
silk	●	987-913.30

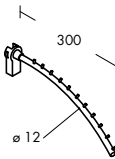
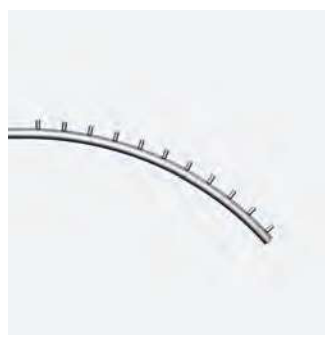
Front arm, straight Ø 12 mm



Max. weight load = 10 kg

chrome	○	984-873.01
150 mm	○	984-873.01
300 mm	●	984-875.01
silk	●	984-875.30
150 mm	●	984-873.30
300 mm	●	984-875.30

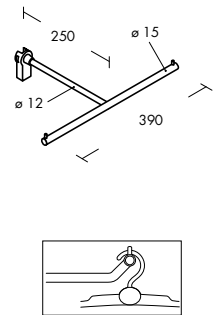
Front arm, curved Ø 12 mm



With 11 pins.
Max. weight load = 10 kg

chrome	●	984-881.01
silk	●	984-881.30

Hanging rail Ø 15 mm, 390 mm
T arm



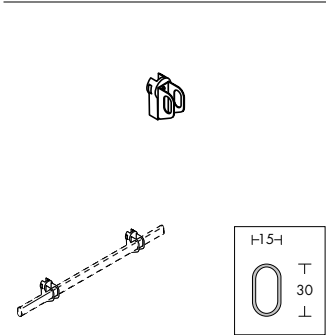
Max. weight load = 10 kg

chrome	○	984-959.01
silk	●	984-959.30



Bracket Ø 12 mm for hanging rail Ø 15 mm	Hanging rail Ø 15 mm	Bracket Ø 12 mm for wooden or glass shelf	Shelf support for glass shelf
<p>Coat-hangers can slide along the entire length of the hanging rail.</p> <p>Max. weight load = 10 kg per bracket</p>	<p>To be inserted into brackets for hanging rail.</p>	<p>Max. weight load = 10 kg per bracket</p> <p>Max. display depth = 320 mm</p> <ul style="list-style-type: none"> 🔗 Drawing no. 286-613 Glass shelf 8 mm 🔗 Drawing no. 286-612 Wooden shelf 	<p>Plastic.</p> <p>Are inserted on to pins of brackets for wooden and glass shelf, when using glass shelves.</p>
<p>chrome ○ 987-869.01</p> <p>silk ○ 987-869.30</p>	<p>chrome lto 520–2445 mm ⊙ 906-329.01</p> <p>silk lto 520–2445 mm ⊙ 906-329.30</p>	<p>chrome ○ 984-879.01</p> <p>silk ● 984-879.30</p>	<p>silver ● 979-446.05</p>
<p>At least 2 brackets are required per hanging rail.</p>	<p>520–795 mm => 2 brackets</p> <p>796–1195 mm => 3 brackets</p> <p>1196–1595 mm => 4 brackets</p> <p>1596–2445 mm => 5 brackets</p>	<p>At least 2 brackets are required per shelf.</p> <p>Shelf supports for glass shelf must be ordered separately.</p>	<p>Set of 4 pcs.</p>

Bracket
for hanging rail 30 x 15 mm, oval

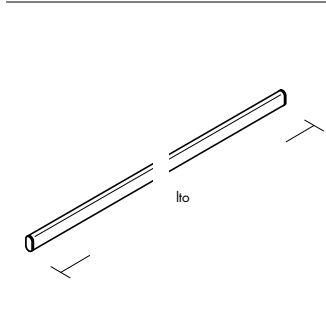
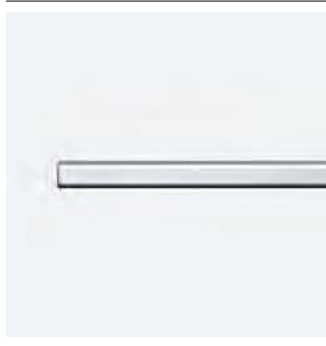


Max. weight load = 20 kg per bracket

- chrome ● **984-831.01**
- silks ● **984-831.30**

At least 2 brackets are required per hanging rail.

Hanging rail 30 x 15 mm
oval tube



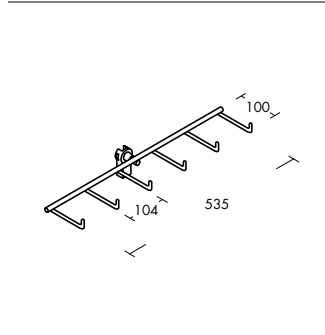
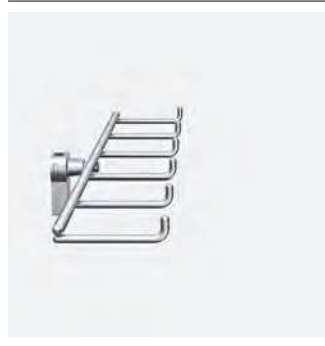
To be inserted into brackets for hanging rail 30 x 15 mm, oval.

For merchandise supports such as front arms and hooks for hanging on oval bars, see Stabilo range.

- chrome lto 620–2445 mm ○ **306-400.01**
- silks lto 620–2445 mm ○ **306-400.30**

620–1245 mm => 2 brackets
1246–1870 mm => 3 brackets
1871–2445 mm => 4 brackets

Hook rail
for ties, belts etc.

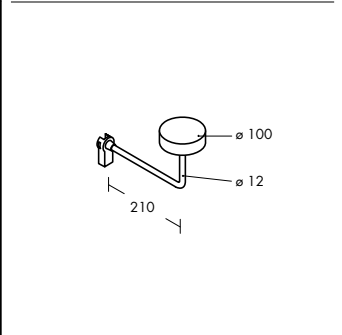


With 6 hooks Ø 7.5 mm.

Max. weight load = 10 kg

- chrome ● **984-830.01**
- silks ● **984-830.30**

Hat bar



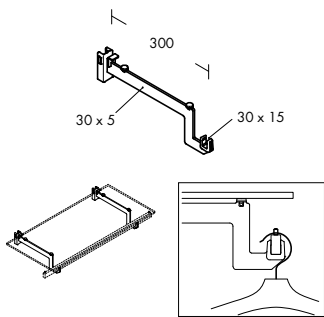
Max. weight load = 3 kg

- silks ○ **984-828.30**



Font arm, straight 30 x 15 mm	Front arm, stepped 30 x 15 mm	Hanging rail 30 x 15 mm, 600 mm T arm	Bracket 25 x 5 mm for hanging rail 30 x 15 mm									
<p>Max. weight load = 20 kg</p>	<p>Max. weight load = 20 kg</p>	<p>Max. weight load = 20 kg</p>	<p>Coat-hangers can slide along the entire length of the hanging rail. Max. weight load = 20 kg per bracket</p>									
<p>black steel duro</p> <table border="0"> <tr> <td>100 mm</td> <td>○</td> <td>361-616.26</td> </tr> <tr> <td>200 mm</td> <td>●</td> <td>361-638.26</td> </tr> <tr> <td>300 mm</td> <td>●</td> <td>361-639.26</td> </tr> </table>	100 mm	○	361-616.26	200 mm	●	361-638.26	300 mm	●	361-639.26	<p>black steel duro</p> <p>● 361-825.26</p>	<p>black steel duro</p> <p>● 361-640.26</p>	<p>black steel duro</p> <p>● 361-828.26</p> <p>At least 2 brackets are required per hanging rail.</p>
100 mm	○	361-616.26										
200 mm	●	361-638.26										
300 mm	●	361-639.26										

Bracket 25 x 5 mm
for hanging rail 30 x 15 mm and
wooden or glass shelf



Coat-hangers can slide along the entire length of the hanging rail.

Max. weight load = 20 kg per bracket

Max. display depth = 380 mm

☛ Drawing no. 286-620 Glass shelf 8 mm

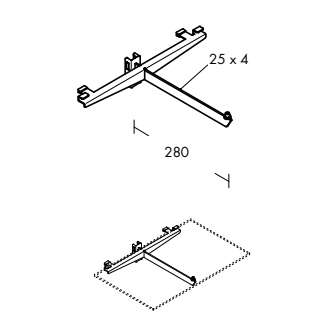
☛ Drawing no. 980-299 Wooden shelf

black steel duro

● **361-829.26**

At least 2 brackets are required per hanging rail and shelf.

Support bracket 25 x 4 mm
for wooden or glass shelf



Max. weight load = 20 kg

Max. display depth = 380 mm

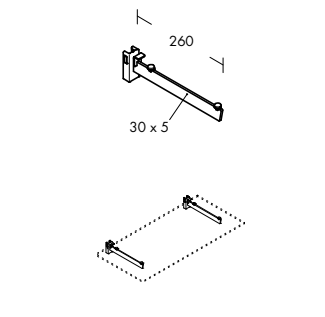
☛ Drawing no. 978-388 Glass shelf 8 mm

☛ Drawing no. 375-895 Wooden shelf 19 mm

black steel duro

● **361-642.26**

Bracket 30 x 5 mm
for wooden or glass shelf



Max. weight load = 20 kg per bracket

Max. display depth = 380 mm

☛ Drawing no. 286-620 Glass shelf 8 mm

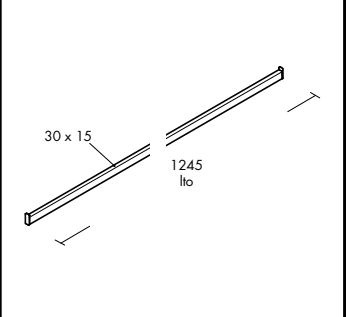
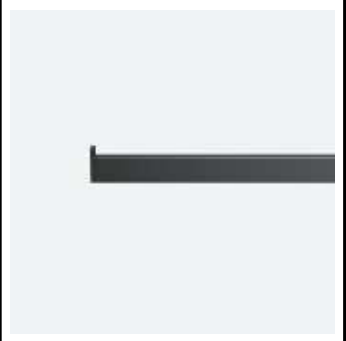
☛ Drawing no. 980-299 Wooden shelf

black steel duro

● **361-831.26**

At least 2 brackets are required per shelf.

Hanging rail 30 x 15 mm
rectangular tube



To be inserted into brackets for hanging rail.

black steel duro

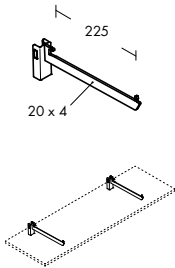
1245 mm ○ **315-756.26**
1to 620-2445 mm ⊙ **315-758.26**

620-1245 mm => 2 brackets
1246-1870 mm => 3 brackets
1871-2445 mm => 4 brackets



Front arm, straight 20 x 10 mm	Hanging rail 20 x 10 mm, 390 mm T arm	Bracket 20 x 4 mm for hanging rail 20 x 10 mm	Hanging rail 20 x 10 mm rectangular tube
<p>Max. weight load = 10 kg</p>	<p>Max. weight load = 10 kg</p>	<p>Coat-hangers can slide along the entire length of the hanging rail. Max. weight load = 10 kg per bracket</p>	<p>To be inserted into brackets for hanging rail.</p>
<p>bright silver duro 150 mm ● 361-837.12 300 mm ● 361-838.12</p>	<p>bright silver duro ● 361-841.12</p>	<p>bright silver duro ● 361-843.12</p> <p>At least 2 brackets are required per hanging rail.</p>	<p>bright silver duro 800 mm ○ 315-765.12 lto 620–2445 mm ⊙ 315-767.12</p> <p>620–1245 mm => 2 brackets 1246–1870 mm => 3 brackets 1871–2445 mm => 4 brackets</p>

Bracket 20 x 4 mm
for wooden shelf



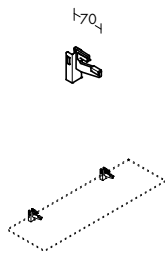
Max. weight load = 10 kg per bracket
Max. display depth = 380 mm

📄 Drawing no.
286-619 Wooden shelf 19 mm

bright silver duro ● **361-641.12**

At least 2 brackets are required per shelf.

Clamping bracket
for glass shelf



Max. weight load = 15 kg per bracket
Max. display depth = 320 mm

📄 Drawing no.
286-613 Glass shelf 8 mm

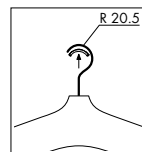
bright silver duro ● **361-834.12**

At least 2 brackets are required per shelf.

Sliss



100 x



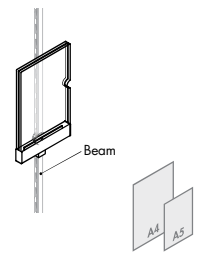
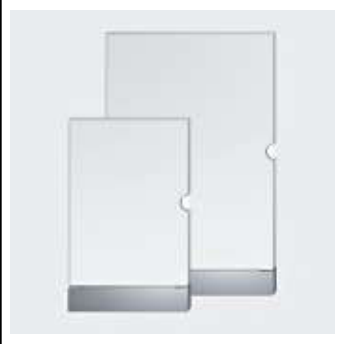
Prevents scratches on hanging rails and front arms in silk or stainless steel.

To clip into coat hanger hook (Ø 3.4–3.8 mm).

transparent ● **929-449.02**

Set of 100 pcs.

Sign holder
for Beam

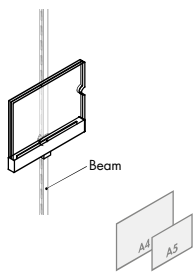
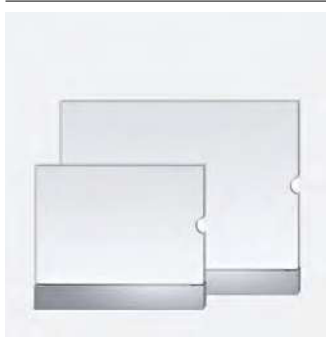


For vertical presentation.

chrome		
DIN A 5	⊙	308-819.01
DIN A 4	⊙	308-852.01
bright silver mistral		
DIN A 5	⊙	308-819.66
DIN A 4	⊙	308-852.66



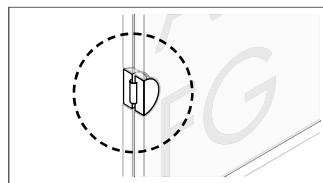
Sign holder for Beam



For horizontal presentation.

chrome		
DIN A 5	⊙	308-830.01
DIN A 4	⊙	308-843.01
bright silver mistral		
DIN A 5	⊙	308-830.66
DIN A 4	⊙	308-843.66

Universal magnetic holder



For positioning and securing the sign.

silver		
	○	981-939.05